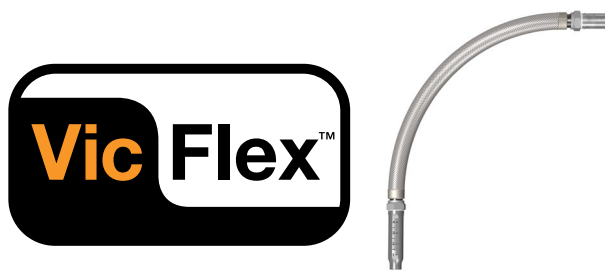


Victaulic® VicFlex™ Sprinkler Fittings

Series AH4 Braided Flexible Hose



Series AH4

1.0 PRODUCT DESCRIPTION

Available Sizes by Component

- **Series AH4 1"/DN25 Nominal ID Braided Hose:** 31, 36, 48, 60, 72"/790, 915, 1220, 1525, 1830 mm. Note: length includes adapter nipple and 5.75"/146 mm straight reducer.
- Internal braided hose diameter 1"/25mm

Connections

- **From Branchline**
 - ¾"/20mm BSPT female thread (VdS only)
 - 1"/25mm NPT or BSPT female Thread
- **Hose Inlet**
 - 1"/25mm NPT or BSPT male thread
 - ¾"/20mm BSPT male thread (VdS only)
- **Sprinkler Reducer**
 - Sprinkler Connection: ½" and ¾"/15mm and 20mm NPT or BSPT female thread
 - Straight Lengths: 5.75", 9", 13"/146 mm, 230mm, 330mm
 - 90° Elbows
 - Short (typically used with concealed sprinklers)
 - Long (typically used with recessed pendent sprinklers)
 - Low Profile Short (typically used with concealed sprinklers and Style AB5, AB11, AB12, ABBA, or ABMM Bracket)
 - Low Profile Long (typically used with recessed pendent sprinklers and Style AB5, AB11, AB12, ABBA, or ABMM Bracket)

ALWAYS REFER TO ANY NOTIFICATIONS AT THE END OF THIS DOCUMENT REGARDING PRODUCT INSTALLATION, MAINTENANCE OR SUPPORT.

1.0 PRODUCT DESCRIPTION (CONTINUED)

• Brackets

- Style AB2 for suspended and hard-lid ceilings and sidewalls, allows for vertical sprinkler adjustment, and installation before most ceiling tiles in place
- Style AB3 for surface mount applications, wood, metal and block walls, or ceilings
- Style AB4 for hard-lid ceilings with hat furring channel grid systems, allows for vertical sprinkler adjustment
- Style AB5 for hard-lid ceilings and sidewalls, allows for vertical sprinkler adjustment
- Style AB7 for suspended and hard-lid ceilings
- Style AB7 Adjustable for suspended and hard-lid ceilings
- Style AB10 for Armstrong® TechZone™ ceilings
- Style AB11 for lay-in panel suspended t-grid ceilings or drywall suspended t-grid ceilings, allows for low profile installations (use only with 90° low profile elbows)
- Style AB12 for suspended and hard-lid ceilings, allows for vertical sprinkler adjustment, and allows for low profile installation down to 4"/100mm.
- Style ABBA bracket for suspended, exposed, and hard-lid ceilings
- Style ABMM bracket for surface mount and stand off-mount applications, wood, metal and block walls, or ceilings and hard-lid ceilings

Maximum Working Temperature

- 225°F/107°C

Maximum Working Pressure

- 200 psi/1375 kPa (FM Approval)
- 1600 kPa/232 psi (VdS Approved)
- 1.6 MPa/232 psi (CCCf Approved)

Minimum Bend Radius

- 7"/178 mm (FM/CCCf Approval)
- 3"/76.2 mm (VdS Approved)

Maximum Allowable Sprinkler K-Factors

- FM (½"/15mm reducer) K5.6/8,1 (S.I.), (¾"/20mm reducer) K14.0/20,2 (S.I.)
- VdS (½"/15mm reducer) K5.6/8,1 (S.I.), (¾"/20mm reducer) K8.0/11,5 (S.I.)

2.0 CERTIFICATION/LISTINGS



NOTE

- CCCf approval only applies to Series AH4 hose in combination with a straight reducer. CCCf approval only applies to Series AH4W hose in combination with a standard elbow reducer. Contact Victaulic for details.
-

3.0 SPECIFICATIONS – MATERIAL

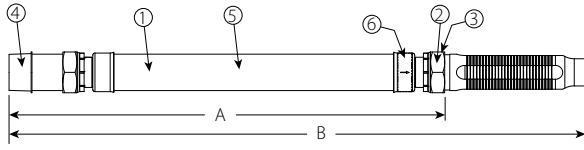
Series AH4

- **Flexible Hose:** 300-series Stainless Steel
- **Collar/Weld Fitting:** 300-series Stainless Steel
- **Gasket Seal:** Victaulic EPDM
- **Nut and Nipple:** Carbon Steel, Zinc Plated
- **Reducer (1/2"/15 mm or 3/4"/20 mm):** Carbon Steel, Zinc-Plated

Brackets: Carbon Steel, Zinc-Plated

4.0 DIMENSIONS

Product Details - Series AH4 Braided Hose



Item	Description
1	Flexible Hose
2	Gasket
3	Nut
4	Adapter Nipple
5	Braid
6	Collar/Weld Fitting

Hose Length Dimensions

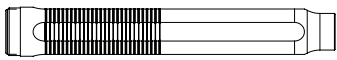
Hose Length inches mm	A inches mm	B inches mm
31/790	25.3/641	31/790
36/915	31.3/794	36/915
48/1220	42.3/1073	48/1220
60/1525	54.3/1378	60/1525
72/1830	66.3/1683	72/1830

Standard Reducer

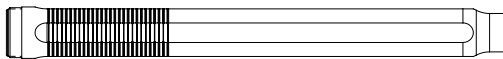


5.75"/146 mm straight reducer

Optional Reducers

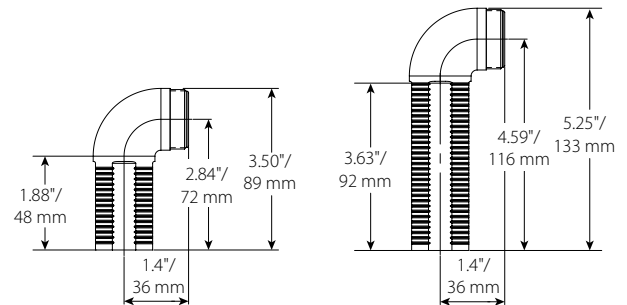


9.0"/230 mm straight reducer



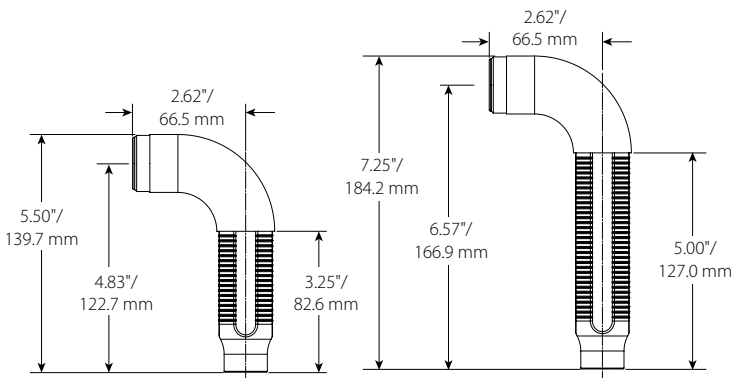
13.0"/330 mm straight reducer

Low Profile



NOTE

- Style AB11: When low profiles elbows are used with the Style AB11 bracket, the Low Profile Short Elbow is typically used with concealed sprinklers while the Low Profile Long Elbow is typically used in the installation of recessed pendent sprinklers.
- FM/VdS approved only with Style AB5, AB11 and AB12 brackets.



Short 90° elbow reducer

Long 90° elbow reducer

NOTE

- The Short 90° elbow reducer is typically used with concealed sprinklers while the Long 90° elbow is typically used in the installation of recessed pendent sprinklers.
- FM/VdS Approved only.

4.1 DIMENSIONS

VicFlex Brackets

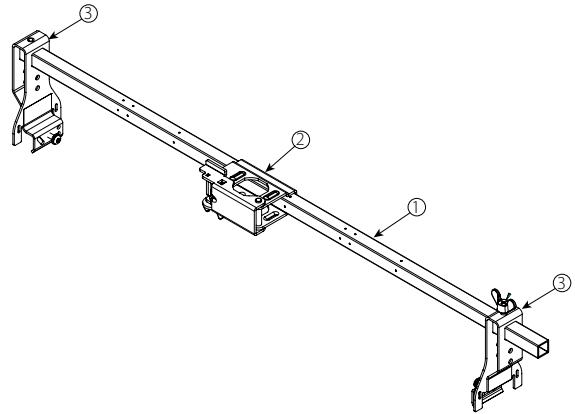
Style AB2

- Suspended Ceilings
- Hard-Lid Ceilings

Item	Description
1	24"/610 mm or 48"/1219 mm Square Bar
2	Patented Vertically Adjustable Center Bracket
3	End Bracket

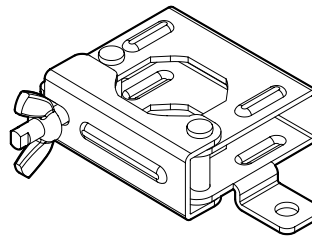
NOTE

- Both sizes FM/VdS Approved.



Style AB3

- Surface Mount Applications
- FM Approved



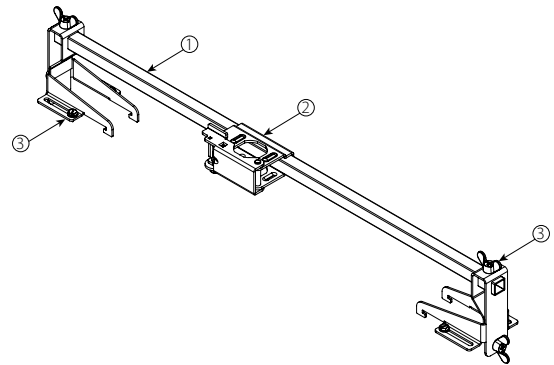
Style AB4

- Hard-Lid Ceilings with Hat Furring Channel grid system

Item	Description
1	24"/610 mm or 48"/1219 mm Square Bar
2	Patented Vertically Adjustable Center Bracket
3	End Bracket for Hat Furring Channel

NOTE

- Both sizes FM/VdS Approved.



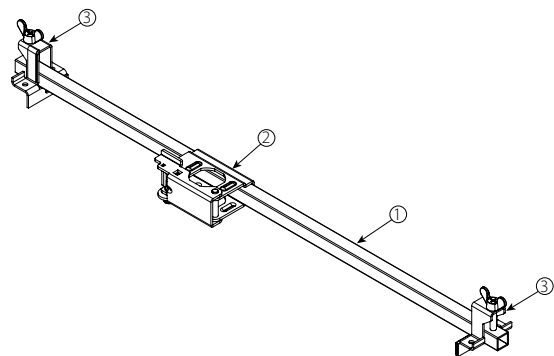
Style AB5

- Hard-Lid Ceilings

Item	Description
1	24"/610 mm or 48"/1219 mm Square Bar
2	Patented Vertically Adjustable Center Bracket
3	End Bracket

NOTE

- Both sizes FM/VdS Approved.



4.1 DIMENSIONS (CONTINUED)

VicFlex Brackets

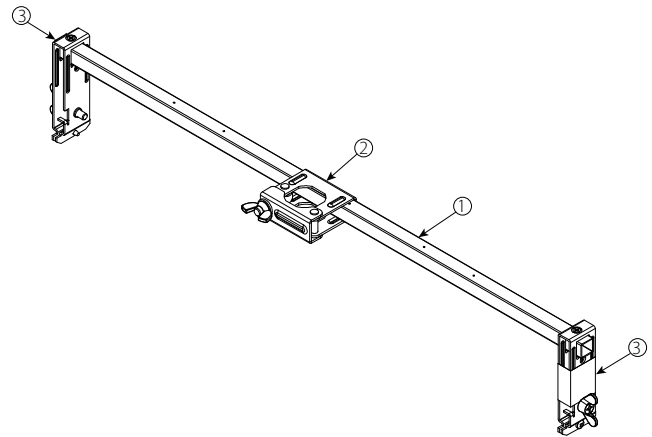
Style AB7

- Suspended Ceilings
- Hard-Lid Ceilings

Item	Description
1	24"/610 mm or 48"/1219 mm Square Bar
2	Patented 1-Bee2® Center Bracket
3	End Bracket

NOTE

- Both sizes FM/VdS Approved.



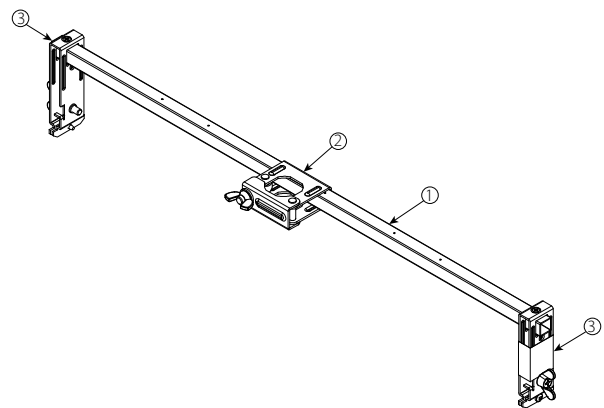
Style AB7 Adjustable

- Suspended Ceilings
- Hard-Lid Ceilings

Item	Description
1	700 mm or 1400 mm Square Bar
2	Patented 1-Bee2® Center Bracket
3	End Bracket (adjustable)

NOTE

- Both sizes FM/VdS Approved.



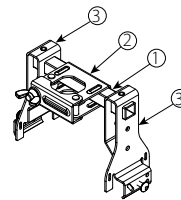
Style AB10

- Suspended ceilings
- Armstrong® TechZone™

Item	Description
1	6"/152 mm Square Bar
2	Patented 1-Bee2® Center Bracket
3	End Bracket

NOTE

- FM/VdS Approved.



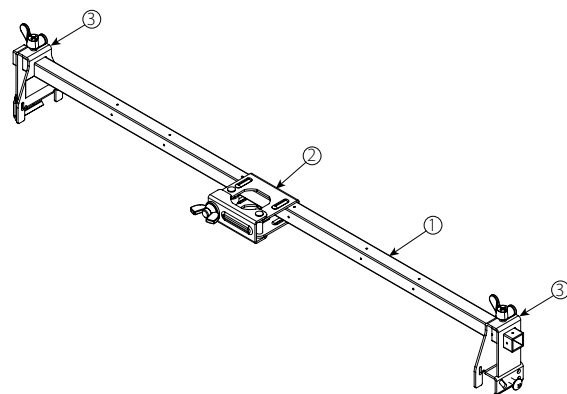
Style AB11

- Suspended ceilings
- Hard-Lid ceilings

Item	Description
1	24"/610 mm or 48"/1219 mm Square Bar
2	Patented 1-Bee2® Center Bracket
3	End Bracket

NOTE

- Both sizes FM/VdS Approved.



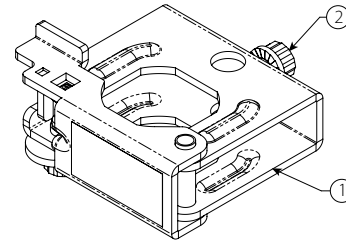
4.1 DIMENSIONS (CONTINUED)

VicFlex Brackets

Style AB12

- Suspended ceilings
- Hard-Lid ceilings

Item	Description
1	Style AB12 Bracket Body
2	#2 Square Drive Set Screw



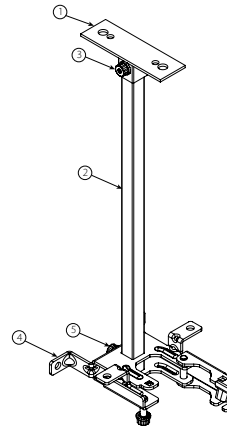
NOTE

- FM/VdS Approved.

Style ABBA

- Floor-above mount
- Cantilever mount
- Temporary mount in exposed ceilings

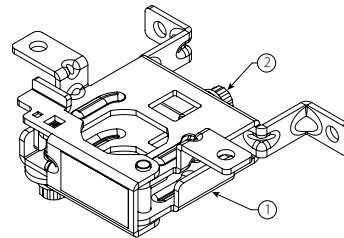
Item	Description
1	Style ABBA Mounting Plate
2	Style ABBA Square Bar
3	Cap Screw, Serated Flange, M6 x 1 x 20, T25 Torx Drive Recessed
4	Style ABMM Bracket Body
5	Cap Screw, Serated Flange, M6 x 1 x 15.24, T25 Torx Drive Recessed



Style ABMM

- Surface mount
- Stand-off mount

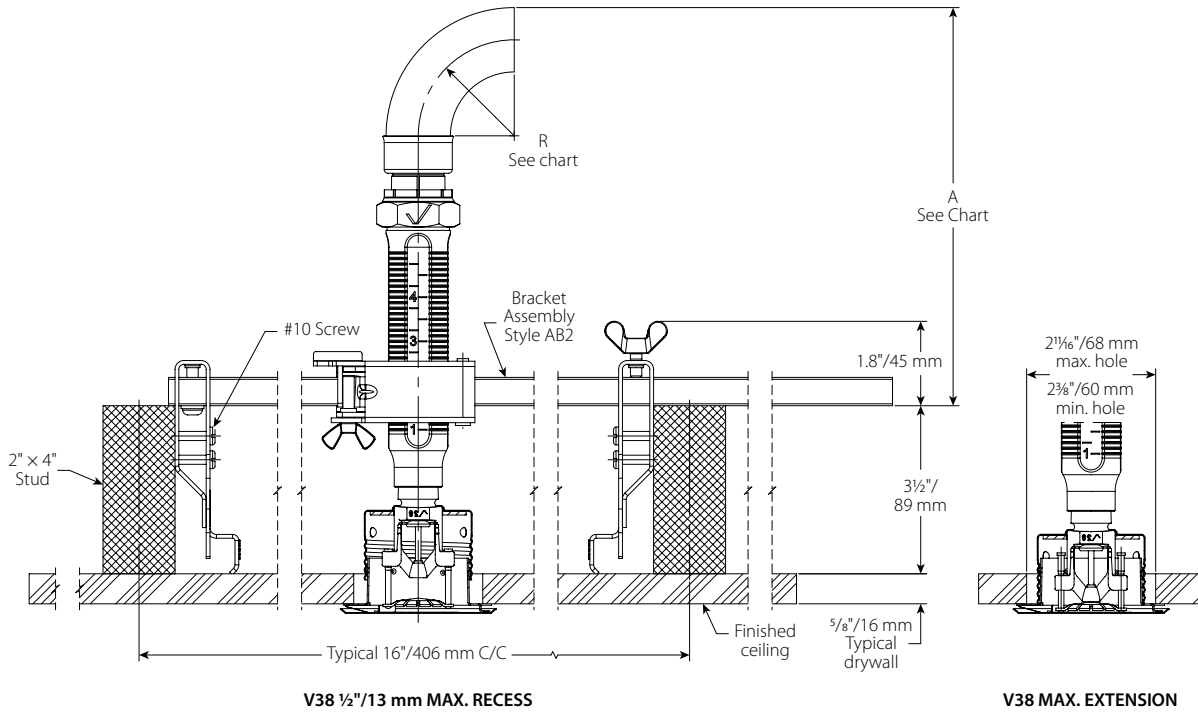
Item	Description
1	Style ABMM Bracket Body
2	Cap Screw, Serated Flange, M6 x 1 x 15.24, T25 Torx Drive Recessed



4.2 DIMENSIONS

Clearances

Series AH4 Braided Hose and Style AB2 Bracket



Hose Clearance Chart									
	Straight Reducer						Long Elbow		Short Elbow
	V38 ½" 13 mm Max Recess	V27 Pendent ¾" 20mm Max Recess	V27 Sidewall ¾" 20mm Sidewall	V38 ½" 13 mm Max Recess	V27 Pendent ¾" 20mm Max Recess	V27 Sidewall ¾" 20mm Sidewall	V27 Pendent ¾" 20mm Max Recess	V27 Sidewall ¾" 20mm Max Recess	V38 ½" 13mm Max Recess
	inches	inches	inches	inches	inches	inches	inches	inches	inches
	mm	mm	mm	mm	mm	mm	mm	mm	mm
"R" Minimum Bend Radius		3.0 80			7.0 175			-	
"A" Minimum Required Installation Space	8.6 218	7.2 183	7.1 180	12.6 320	11.2 285	11.1 282	3.3 84	3.6 91	3.3 84

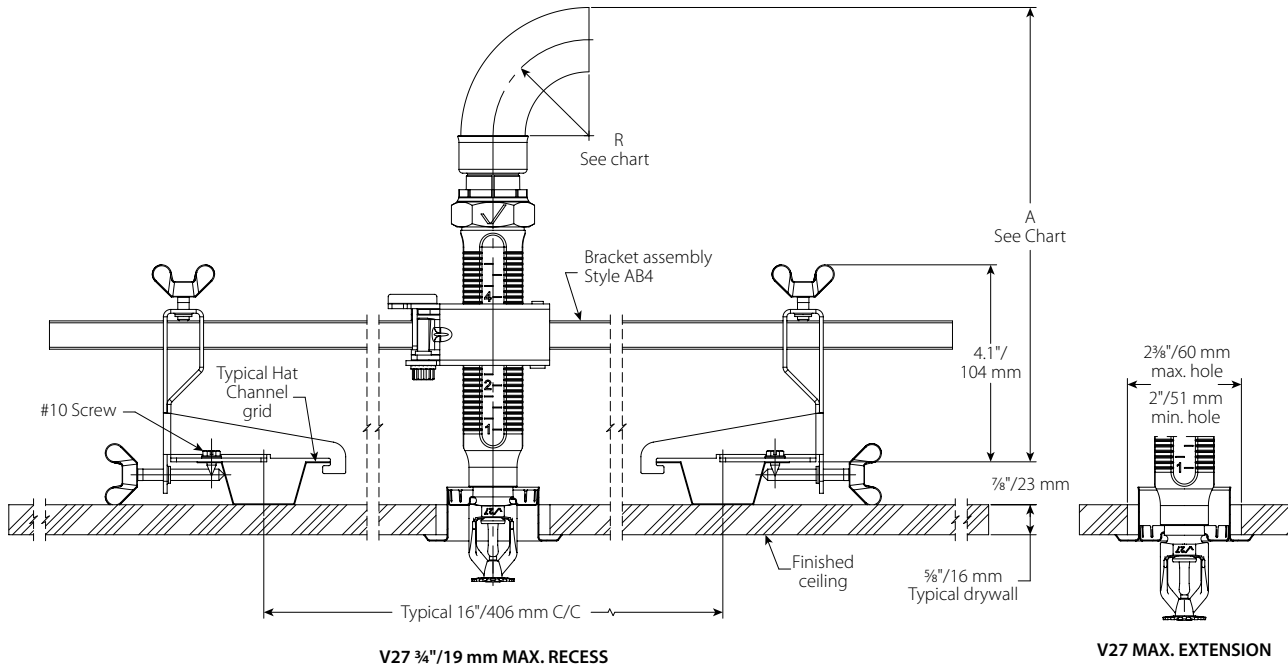
NOTE

- Variations of ceiling grids, sprinkler heads, brackets, and hoses are permitted but may result in clearance differences from the figures above.

4.3 DIMENSIONS

Clearances

Series AH4 Braided Hose and Style AB4 Bracket



Hose Clearance Chart						
	Straight Reducer				Long Elbow	Short Elbow
	V27 Pendant 3/4" 20mm Max Recess inches mm	V38 1/2" 13mm Max Recess inches mm	V27 Pendant 3/4" 20mm Max Recess inches mm	V38 1/2" 13mm Max Recess inches mm	V27 Pendant 3/4" 20mm Max Recess inches mm	V38 1/2" 13mm Max Recess inches mm
"R" Minimum Bend Radius	3.0 80	3.0 80	7.0 175	7.0 175	-	
"A" Minimum Required Installation Space	9.8 249	11.2 285	13.8 351	15.2 386	8.0 203	5.9 150

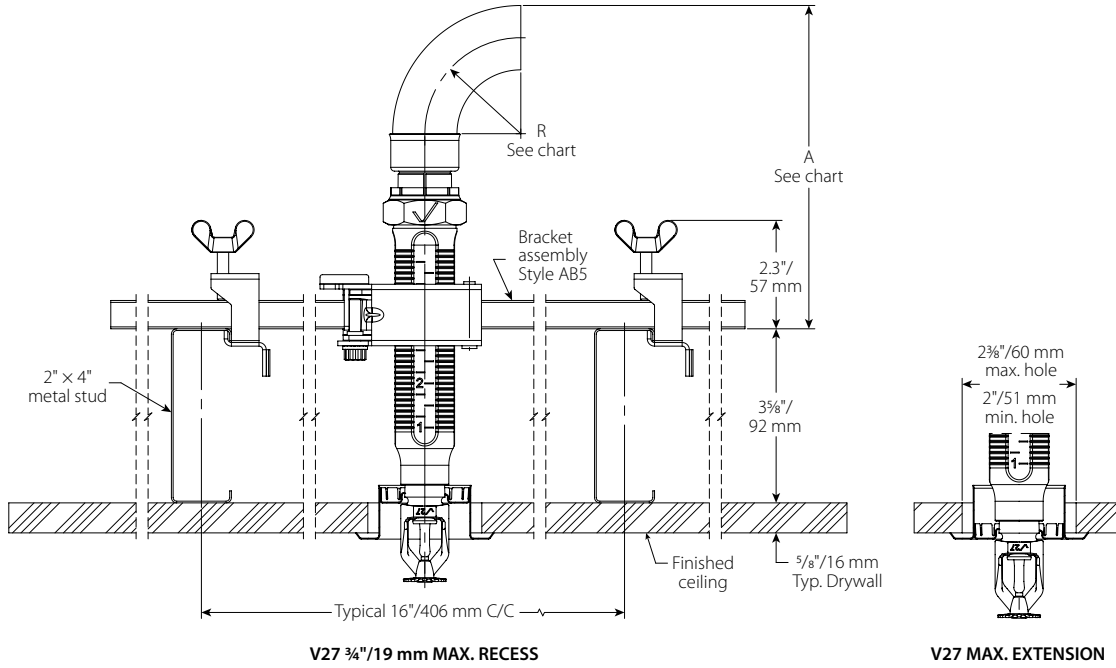
NOTE

- Variations of ceiling grids, sprinkler heads, brackets, and hoses are permitted but may result in clearance differences from the figures above.

4.4 DIMENSIONS

Clearances

Series AH4 Braided Hose and Style AB5 Bracket



Hose Clearance Chart

	Straight Reducer					
	V27 Pendent 3/4" 20mm Max Recess inches mm	V38 1/2" 13mm Max Recess inches mm	V27 Sidewall 3/4" 20mm Max Recess inches mm	V27 Pendent 3/4" 20mm Max Recess inches mm	V38 1/2" 13mm Max Recess inches mm	V27 Sidewall 3/4" 20mm Max Recess inches mm
"R" Minimum Bend Radius	3.0 80			7.0 175		
"A" Minimum Required Installation Space	7.8 178	8.7 221	7.1 180	11.0 279	12.7 323	11.1 282

NOTE

- Variations of ceiling grids, sprinkler heads, brackets, and hoses are permitted but may result in clearance differences from the figures above.

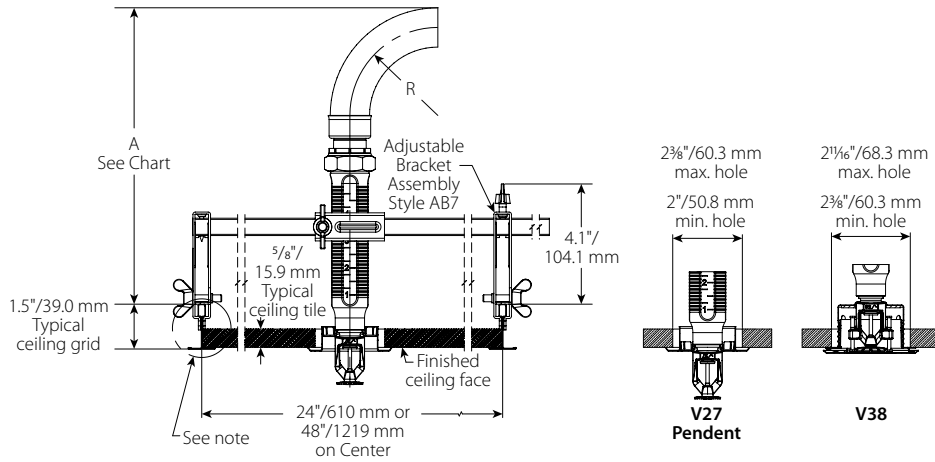
Hose Clearance Chart

	Long Elbow			Short Elbow
	V27 Pendent 3/4" 20mm Max Recess inches mm	V38 1/2" 13mm Max Recess inches mm	V27 Sidewall 3/4" 20mm Max Recess inches mm	V38 1/2" 13mm Max Recess inches mm
"R" Minimum Bend Radius	-			
"A" Minimum Required Installation Space	3.5 89	4.9 124	3.6 91	3.3 84

4.5 DIMENSIONS

Clearances

Series AH4 Braided Hose and Style AB7 Bracket



Hose Clearance Chart						
	Straight Reducer				Long Elbow	Short Elbow
	V27 Pendent ½" 12,7mm Max Recess	V38 ½" 12,7mm Max Recess	V27 Pendent ½" 12,7mm Max Recess	V38 ½" 12,7mm Max Recess	V27 Pendent ½" 12,7mm Max Recess	V38 ½" 12,7mm Max Recess
	inches mm	inches mm	inches mm	inches mm	inches mm	inches mm
"R" Minimum Bend Radius	3.0 76		7.0 178		-	
"A" Minimum Required Installation Space	9.6 244	11.3 287	13.6 345	15.3 389	5.8 147	5.7 145

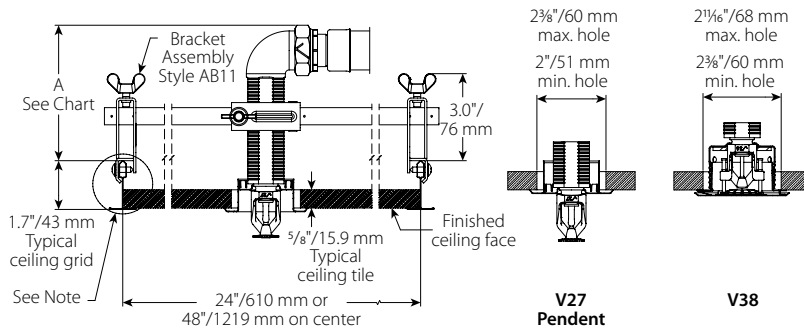
NOTE

- Variations of ceiling grids, sprinkler heads, brackets, and hoses are permitted but may result in clearance differences from the figures above.

4.6 DIMENSIONS

Clearances

Series AH4 Braided Hose and Style AB11 Bracket



Hose Clearance Chart		
	Low-Profile Long Elbow	Low-Profile Short Elbow
	V27 Pendent ¾" 20mm Max Recess	V38 ½" 13mm Max Recess
	inches	inches
	mm	mm
"A" Minimum Required Installation Space	4.0 102	3.9 99

NOTE

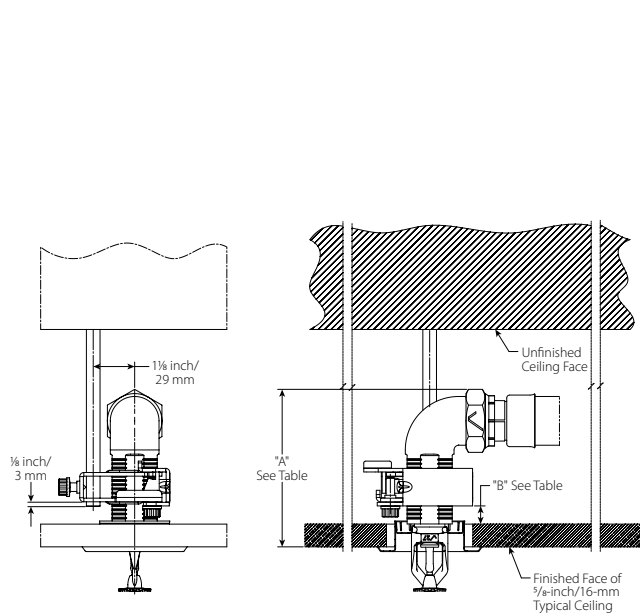
- Variations of ceiling grids, sprinkler heads, brackets, and hoses are permitted but may result in clearance differences from the figures above.

4.7 DIMENSIONS

Clearances

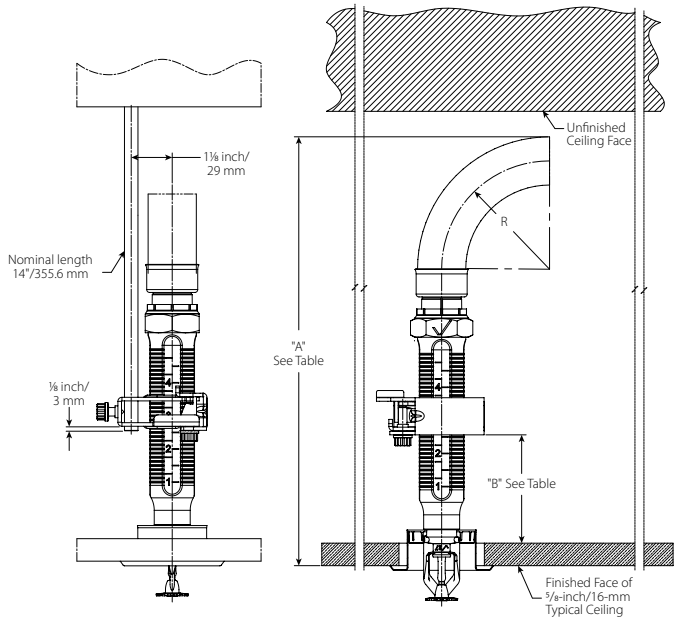
Style AB12 and ABBA Bracket

Suspended Ceiling Grid with Recessed Sprinkler with Low Profile Short Elbow



V2707 1/2" / 12.7 mm MAX. RECESS

Suspended Ceiling Grid with Recessed Sprinkler and Straight 5.75"/140mm Reducer



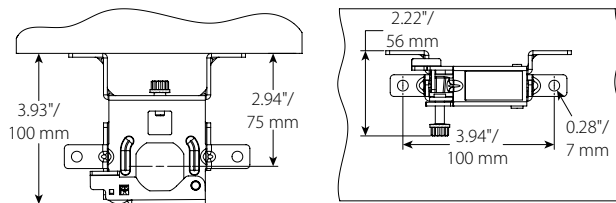
V2707 3/4" / 19 mm MAX. RECESS

Dimension	Low Profile Short Elbow		Low Profile Long Elbow		Standard Short Elbow		Standard Long Elbow		Standard Straight Reducer		
	3/4" / 19mm Recessed*	Concealed	3/4" / 19mm Recessed	Concealed	3/4" / 19mm Recessed	Concealed	3/4" / 19mm Recessed	Concealed	3/4" / 19mm Recessed	Concealed	
	inches	inches	inches	inches	inches	inches	inches	inches	inches	inches	
	mm	mm	mm	mm	mm	mm	mm	mm	mm	mm	
A	Minimum Required Installation Space	4.0 101.6	5.5 139.7	5.6 142.2	7.2 182.9	5.9 149.9	7.5 190.5	7.7 195.6	9.3 236.2	15.0 381.0	16.6 421.6
B	Distance from Top of Typical Ceiling Tile to Bottom of Gate	0.5 12.7	2.0 50.8	1.5 38.1	1.5 38.1	1.5 38.1	1.5 38.1	3.0 76.2	3.0 76.2	3.0 76.2	3.0 76.2

* Adjustability will be limited

Style ABMM Bracket

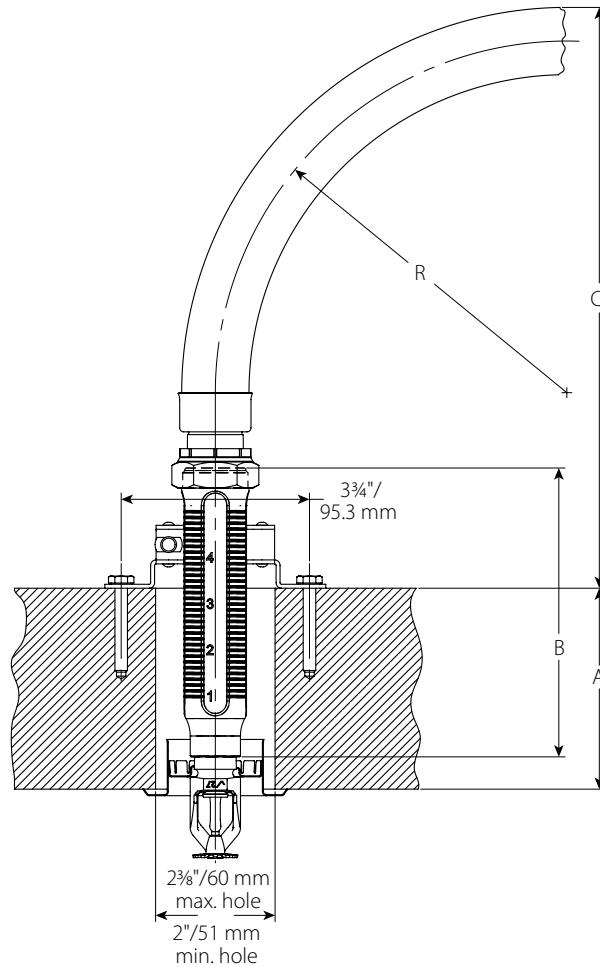
Stand-off Dimensions



4.8 DIMENSIONS

Clearances

Series AH4 Braided Hose and Style AB3 and ABMM Bracket
 Surface Mount Application with Recessed Sprinkler



Hose Clearances										
inches										
mm										
Wall Thickness "A"	2 50			4 100			6 150		8 200	10 250
Outlet Length "B"	5.75 146.1	9 228.6	13 330.2	5.75 146.1	9 228.6	13 330.2	9 228.6	13 330.2	13 330.2	13 330.2
Hose Clearance "C"	11.6 294	14.8 376	18.8 478	9.6 243	12.8 325	16.8 427	10.8 275	14.8 376	12.8 325	10.8 275
Bend Radius "R"	7 175									

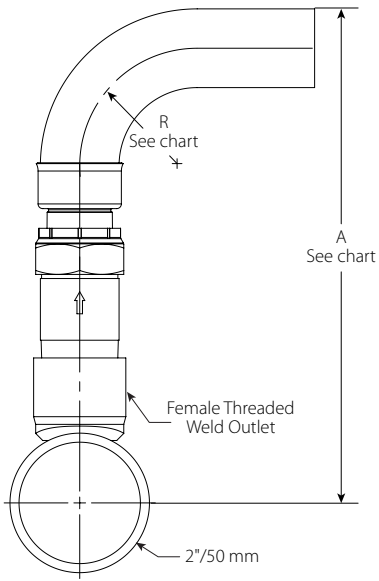
NOTE

- Variations of ceiling grids, sprinkler heads, brackets, and hoses are permitted but may result in clearance differences from the figures above.

4.9 DIMENSIONS

Branchline clearances

Series AH4 Braided Hose with female threaded outlet



Hose Clearance Chart						
Dimension		inches	inches	inches	inches	inches
		mm	mm	mm	mm	mm
R	Minimum Bend Radius	3	4	5	6	7
		80	100	125	150	175
A	Min.	9.4	10.4	11.4	12.4	13.41
		239	264	290	315	341

5.0 PERFORMANCE – FRICTION LOSS DATA



Series AH4 Braided Hoses
Style AB2, AB3, AB4, AB5, AB7, AB7 Adj., AB8, AB10, AB11, AB12, ABBA and ABMM
VicFlex Brackets

NOTE

- Style ABBA and ABMM brackets not CCC Approved.

Length of Stainless Steel Flexible Hose	K-Factor	Outlet Size	Equivalent	Maximum Number of 90° Bends at 7"/178mm Bend Radius
			Length of 1"/33.7mm Sch. 40 Pipe	
inches/mm	Imperial/S.I.	inches/mm/type	feet/meters	
31/790	5.6/8.1	1/2"/15/Straight	20.6/6.3	2
		1/2"/15/90° Elbow	21.7/6.6	
36/915	5.6/8.1	1/2"/15/Straight	29.7/9.0	2
		1/2"/15/90° Elbow	29.8/9.0	
48/1220	5.6/8.1	1/2"/15/Straight	27.5/8.3	3
		1/2"/15/90° Elbow	29.2/8.9	
60/1525	5.6/8.1	1/2"/15/Straight	35.7/10.9	4
		1/2"/15/90° Elbow	37.2/11.3	
72/1830	5.6/8.1	1/2"/15/Straight	45.9/14.0	4
		1/2"/15/90° Elbow	47.5/14.5	
31/790	8.0/11.5	3/4"/20/Straight	13.3/4.0	2
		3/4"/20/90° Elbow	14.6/4.4	
36/915	8.0/11.5	3/4"/20/Straight	21.7/6.6	2
		3/4"/20/90° Elbow	22.4/6.8	
48/1220	8.0/11.5	3/4"/20/Straight	21.2/6.4	3
		3/4"/20/90° Elbow	22.2/6.7	
60/1525	8.0/11.5	3/4"/20/Straight	27.9/8.5	4
		3/4"/20/90° Elbow	28.9/8.8	
72/1830	8.0/11.5	3/4"/20/Straight	38.8/11.8	4
		3/4"/20/90° Elbow	39.4/12.0	
31/790	11.2/16.1	3/4"/20/Straight	16.4/5.0	2
		3/4"/20/90° Elbow	19.9/6.1	
36/915	11.2/16.1	3/4"/20/Straight	21.7/6.6	2
		3/4"/20/90° Elbow	24.2/7.4	
48/1220	11.2/16.1	3/4"/20/Straight	28.5/8.7	3
		3/4"/20/90° Elbow	29.9/9.1	
60/1525	11.2/16.1	3/4"/20/Straight	34.7/10.5	4
		3/4"/20/90° Elbow	30.3/9.2	
72/1830	11.2/16.1	3/4"/20/Straight	38.6/11.6	4
		3/4"/20/90° Elbow	38.6/11.7	
31/790	14.0/20.2	3/4"/20/Straight	16.3/5.0	2
		3/4"/20/90° Elbow	19.9/6.1	
36/915	14.0/20.2	3/4"/20/Straight	21.8/6.7	2
		3/4"/20/90° Elbow	24.2/7.4	
48/1220	14.0/20.2	3/4"/20/Straight	28.3/8.6	3
		3/4"/20/90° Elbow	29.9/9.1	
60/1525	14.0/20.2	3/4"/20/Straight	34.9/10.6	4
		3/4"/20/90° Elbow	30.3/9.2	
72/1830	14.0/20.2	3/4"/20/Straight	41.5/12.6	4
		3/4"/20/90° Elbow	38.6/11.7	

FM NOTES:

- The Series AH4 hose has been tested and Approved by FM Global for use in wet, dry and preaction systems per NFPA 13, 13R, and 13D and FM data sheets 2-0, 2-5, and 2-8. FM 1637 standard for safety include, but are not limited to, pressure cycling, corrosion resistance, flow characteristics, vibration resistance, leakage, mechanical and hydrostatic strength.
- EXAMPLE: A 48-inch hose installed with two 30° bends and two 90° bends is permitted and considered equivalent to the data in the table shown above. In this example, the total number of degrees is 240°, which is less than the allowable 270°.

5.1 PERFORMANCE – FRICTION LOSS DATA



Series AH4 Braided Hose
Style AB2, AB4, AB5, AB7, AB7 Adj., AB8, AB10, AB11 and AB12 Brackets

Length of Stainless Steel Flexible Hose	Outlet Size	Equivalent Length of steel pipe according to EN 10255 DN 25 (33,7 x 3,25)	Maximum Number of 90° Bends at 3"/76.2mm Bend Radius
mm/inches	mm/inches	meters/feet	meters/feet
31/790	15mm/1/2"	5.5/18.0	3
	20 mm/3/4"		
36/915	15mm/1/2"	6.4/21.0	3
	20 mm/3/4"		
48/1220	15mm/1/2"	8.5/27.9	3
	20 mm/3/4"		
60/1525	15mm/1/2"	10.7/35.1	4
	20 mm/3/4"		
72/1830	15mm/1/2"	12.8/42.0	4
	20 mm/3/4"		

VDS CEILING MANUFACTURERS LIST

AB2, AB7, AB10

1. AMF
2. Armstrong
3. Chicago Metallic
4. Dipling
5. Durlum
6. Geipel
7. Gema-Armstrong
8. Hilti
9. Knauf
10. Lafarge
11. Linder
12. Odenwald
13. Richter
14. Rigips
15. Rockfon Pagos
16. Suckow & Fischer
17. USG Donn

AB4

No specific approval

AB8

1. Hilti
2. Knauf
3. Lafarge
4. Lindner
5. Rigips

6.0 NOTIFICATIONS

WARNING



- Read and understand all instructions before attempting to install any Victaulic products.
- Always verify that the piping system has been completely depressurized and drained immediately prior to installation, removal, adjustment, or maintenance of any Victaulic products.
- Wear safety glasses, hardhat, and foot protection.

- These products shall be used only in fire protection systems that are designed and installed in accordance with current, applicable National Fire Protection Association (NFPA 13, 13D, 13R, etc.) standards, or equivalent standards, and in accordance with applicable building and fire codes. These standards and codes contain important information regarding protection of systems from freezing temperatures, corrosion, mechanical damage, etc.
- The installer shall understand the use of this product and why it was specified for the particular application.
- The installer shall understand common industry safety standards and potential consequences of improper product installation.

WARNING

- It is the responsibility of the system designer to verify suitability of 300-series stainless steel flexible hose for use with the intended fluid media within the piping system and external environments.
- The effect of chemical composition, pH level, operating temperature, chloride level, oxygen level, and flow rate on 300-series stainless steel flexible hose must be evaluated by the material specifier to confirm system life will be acceptable for the intended service.
- It is the responsibility of the owner of a building or their authorized agent to provide the sprinkler system installer with any knowledge that the water supply might be contaminated with or conducive to the development of microbiologically influenced corrosion (MIC), including as required by NFPA 13. Failure to identify adverse water quality issues may affect the VicFlex product and void the manufacturer's warranty.

Failure to follow these instructions could cause product failure, resulting in serious personal injury and/or property damage.

Victaulic VicFlex Series AH4 Flexible Sprinkler Fittings may be painted provided the paint is compatible with stainless steel and zinc-plated carbon steel or ductile iron. Care should be taken to ensure the sprinkler and associated escutcheon or coverplate are not painted.

7.0 REFERENCE MATERIALS – CHARACTERISTICS

VicFlex™ Maximum Load Values

Series AH4 Hose with 24" Bracket

Model Size	Actual Length ft m	Total Load		Max. Uniform Load	
		lb	N	lb/linear ft	N/linear m
31/790	2.6 0.8	5.2	23	2.6	38
36/915	3.0 0.9	5.5	25	2.8	40
48/1220	4.0 1.2	6.3	28	3.1	46
60/1525	5.0 1.5	7.0	31	3.5	51
72/1830	6.0 1.8	7.7	34	3.9	57

Series AH4 Hose with 48" Bracket

Model Size	Actual Length ft m	Total Load		Max. Uniform Load	
		lb	N	lb/linear ft	N/linear m
31/790	2.6 0.8	6.1	27	1.5	22
36/915	3.0 0.9	6.4	29	1.6	23
48/1220	4.0 1.2	7.2	32	1.8	26
60/1525	5.0 1.5	7.9	35	2.0	29
72/1830	6.0 1.8	8.7	39	2.2	32

Total Load is defined as the sum of the weights of the following:

- water-filled flexible sprinkler hose with threaded end fittings, including a typical fire sprinkler
- bracket assembly (any applicable Victaulic bracket model of the relevant associated size)

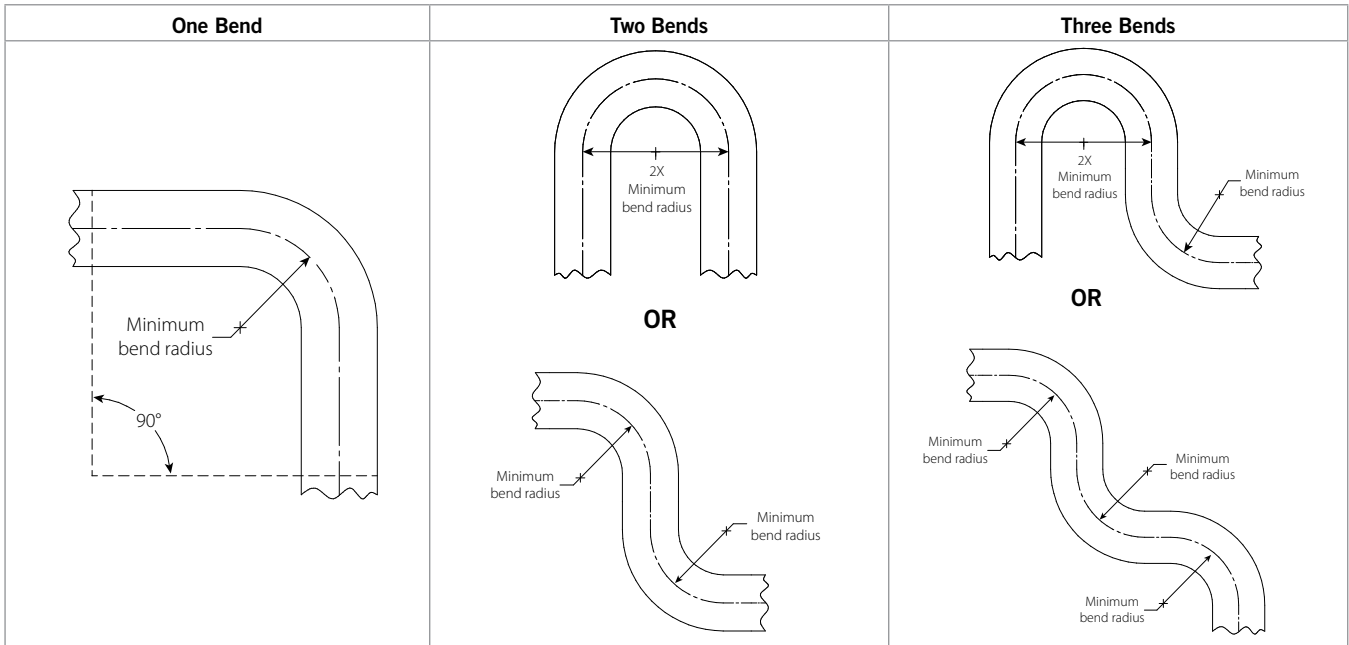
ASTM C 635: Suspension System Load-Carrying Capabilities (excerpted)

Suspension System	Actual Length ft/m	Min. Allowable Uniform Load	
		lb/linear ft	N/linear m
Direct Hung	Light	5.0	75.7
	Intermediate	12.0	181.0
	Heavy	16.0	241.7

SUMMARY: All direct-hung suspension system duty classifications per ASTM C 635 are able to withstand the maximum water-filled weight of the VicFlex sprinkler hose and bracket.

7.0 REFERENCE MATERIALS – CHARACTERISTICS (CONTINUED)

Flexible Hose In-Plane Bend Characteristics



NOTE

For out-of-plane (three-dimensional) bends, care must be taken to avoid imparting torque on the hose.

- [I-VicFlex-AB1-AB2-AB10](#)
- [I-VicFlex-AB3](#)
- [I-VicFlex-AB4](#)
- [I-VicFlex-AB5](#)
- [I-VicFlex-AB7](#)
- [I-VicFlex-AB11](#)
- [I-VicFlex-AB12](#)
- [I-VicFlex-ABBA](#)
- [I-VicFlex-ABMM](#)

User Responsibility for Product Selection and Suitability

Each user bears final responsibility for making a determination as to the suitability of Victaulic products for a particular end-use application, in accordance with industry standards and project specifications, and the applicable building codes and related regulations as well as Victaulic performance, maintenance, safety, and warning instructions. Nothing in this or any other document, nor any verbal recommendation, advice, or opinion from any Victaulic employee, shall be deemed to alter, vary, supersede, or waive any provision of Victaulic Company's standard conditions of sale, installation guide, or this disclaimer.

Intellectual Property Rights

No statement contained herein concerning a possible or suggested use of any material, product, service, or design is intended, or should be construed, to grant any license under any patent or other intellectual property right of Victaulic or any of its subsidiaries or affiliates covering such use or design, or as a recommendation for the use of such material, product, service, or design in the infringement of any patent or other intellectual property right. The terms "Patented" or "Patent Pending" refer to design or utility patents or patent applications for articles and/or methods of use in the United States and/or other countries.

Note

This product shall be manufactured by Victaulic or to Victaulic specifications. All products to be installed in accordance with current Victaulic installation/assembly instructions. Victaulic reserves the right to change product specifications, designs and standard equipment without notice and without incurring obligations.

Installation

Reference should always be made to I-VICFLEX-AB1-AB2-AB10, I-VICFLEX-AB4, I-VICFLEX-AB7, or I-VICFLEX-AB8 for the product you are installing. Handbooks are included with each shipment of Victaulic products for complete installation and assembly data, and are available in PDF format on our website at www.victaulic.com.

Warranty

Refer to the Warranty section of the current Price List or contact Victaulic for details.

Trademarks

Victaulic and all other Victaulic marks are the trademarks or registered trademarks of Victaulic Company, and/or its affiliated entities, in the U.S. and/or other countries.