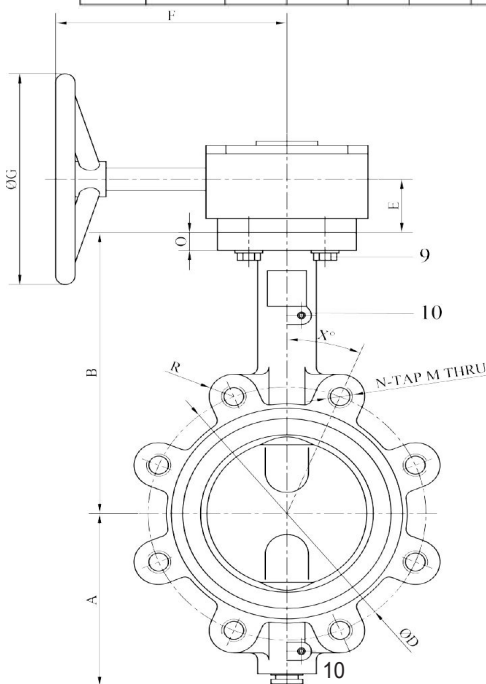


## Gear Operated HVAC Butterfly Valve

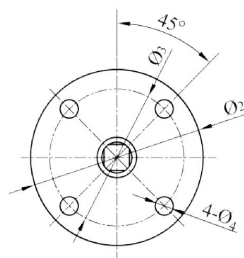
- HVAC, Water, Waste Water Treatment, processing, mining, General Industry, Non-Water Marked Systems
- Operation Pressure 1600kPa
- Temperature Range -10°C to 120°C
- Ductile Cast Iron Body with EDPM Seat
- Sizes range from 50mm to 300mm



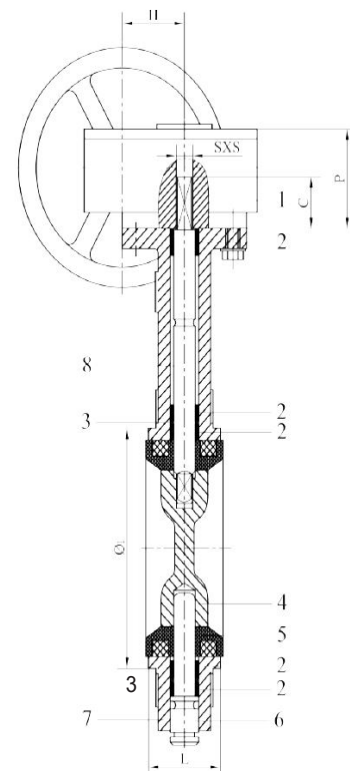
Size		A	B	C	AS2129 TABLE-E				AS2129 TABLE-D				R	E	Ø <sub>1</sub>	Ø <sub>2</sub>	Ø <sub>3</sub>	Ø <sub>4</sub>	L	S	P
mm	inch				ØD	M	N	X°	ØD	M	N	X°									
50	2"	85	162	32	114	M16	4	45	114	M16	4	45	15	11	88	65	50	7	42	9	260
65	2½"	98	174	32	127	M16	4	45	127	M16	4	45	15	11	104	65	50	7	45	9	260
80	3"	104	181	32	146	M16	4	45	146	M16	4	45	15	11	118	65	50	7	45	9	260
100	4"	123	200	32	178	M16	8	22.5	178	M16	4	45	16	12	150	90	70	9.5	52	11	260
125	5"	136	213	32	210	M16	8	22.5	210	M16	8	22.5	18	12	174	90	70	9.5	54	14	260
150	6"	148	225	32	235	M20	8	22.5	235	M16	8	22.5	20	12	206	90	70	9.5	56	14	260
200	8"	186	260	38	292	M20	8	22.5	292	M16	8	22.5	20	13	260	125	102	11.5	60	17	360
250	10"	212	292	38	356	M20	12	15	356	M20	8	22.5	24	14	316	125	102	11.5	66	22	360
300	12"	251	337	38	406	M24	12	15	406	M20	12	15	24	16	370	125	102	11.5	77	22	360



Actuator flange (top flange)



Item	Description	Material
1	Gearbox	
2	Bushing	PTFE
3	O-Ring	EPDM
4	Disc	CF8M
5	Seat	EPDM
6	Lower Stem	SS304
7	Body	DI
8	Upper Stem	SS304
9	Bolt	SS304
10	Spring Pin	SS304

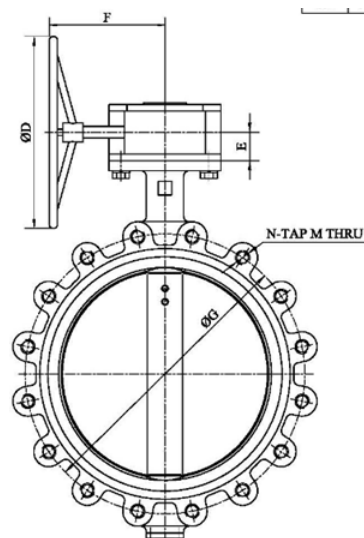


Hydroflow Distributors (Aust) Pty Ltd

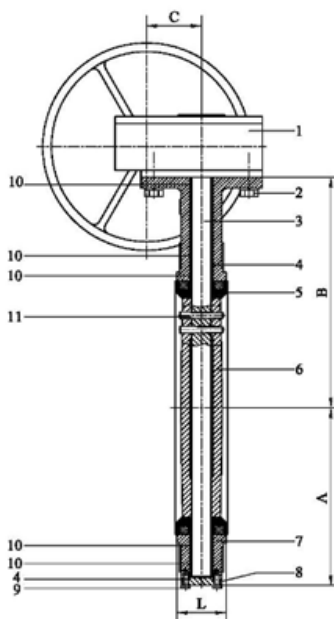
24 Harcourt Road Altona VIC 3018 T: 03 8369 9500 F: 03 836 07666

www.hydroflowaus.com.au

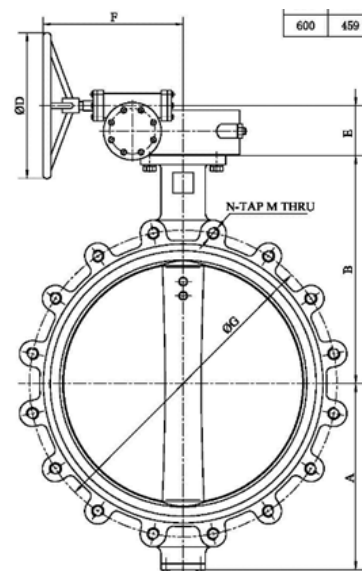
DN	A	B	C	D	E	F	AS 20219 Table E			L
							G	N	Tap M	
350	277	368	80	278	37	225	470	12	M24	77
400	308	400	98	376	52	291	521	12	M24	86
450	342	422	99	376	52	291	584	16	M24	105



Item	Description	Material
1	Gear Operator	
2	Bolt	SS
3	Stem	SS410
4	O Ring	EPDM
5	Seat	EPDM
6	Disc	CF8
7	Body	DI
8	End Cap	DI
9	Bolt	SS
10	Bushing	PTFE
11	Tapper Pin	SS304



DN	A	B	C	D	E	F	AS 20219 Table E			L
							G	N	Tap M	
500	374	479	170	285	120	252	641	16	M24	130
600	459	562	195	376	135	295	756	16	M30	152



Item	Description	Material
1	Gear Operator	
2	Bolt	SS
3	Stem	SS410
4	O Ring	EPDM
5	Seat	EPDM
6	Disc	CF8
7	Body	DI
8	End Cap	DI
9	Bolt	SS
10	Bushing	PTFE
11	Tapper Pin	SS304

