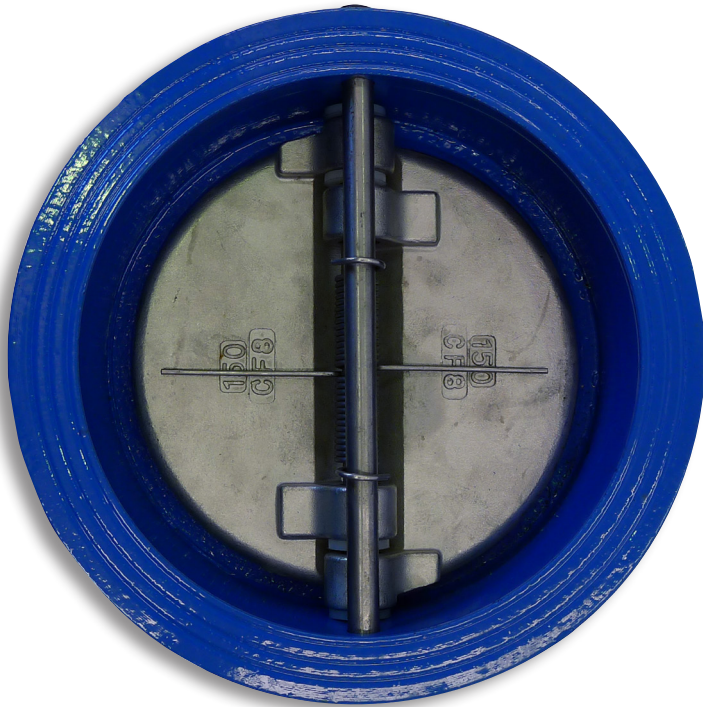


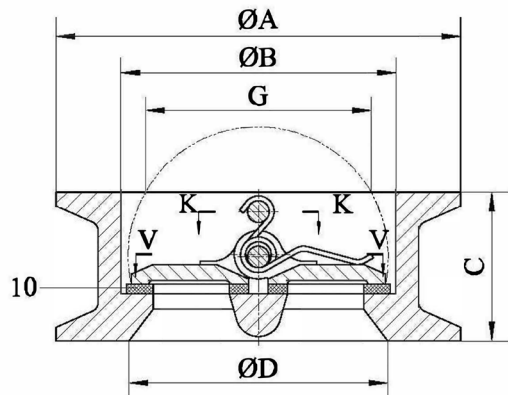
Dual Plate Wafer Type Check Valve



Working pressure
Seat test pressure
Shell test pressure
Test fluid

16 Bar
18 Bar
24 Bar
Water

Item	Description	Material
1	Lifting eyebolt	Carbon steel
2	Thread plug	Carbon Steel
3	Seal Washer	EPDM
4	Upper Shaft	SS410
5	Disc	CF8
6	Spring	SS304
7	Lower Shaft	SS410
8	Washer	PTFE
9	Body	Epoxy Coated Cast Iron



DN	A	B	C	D
50	97	65	43	59
65	110	80	46	78
80	129	94	64	91
100	160	117	64	110
125	192	145	70	142
150	213	170	76	170
200	270	224	89	222
250	328	265	114	264
300	378	310	114	310

Flange compatible with BS 10 TABLE F/AS 2129 TABLE B.

