

Hydroflow Extended Handle Lead Free Ball Valve



Lead Free Ball Valve used in commercial and industrial applications for a full range of liquids and gases

Features

Lead free Thread

Female: BSPP

Thread Male: BSPP

WaterMarked and AGA approved

Maximum Operating Pressure 2500kpa PN25

Temperature rating 0-95°C



Lead Free

Standard: AS 5830.1 Watermark
License: WM-060182 AGA
License: 9286

All models listed under DNV Licence No. 030114 are now certified by AGA WaterMark Licence No. 060182.

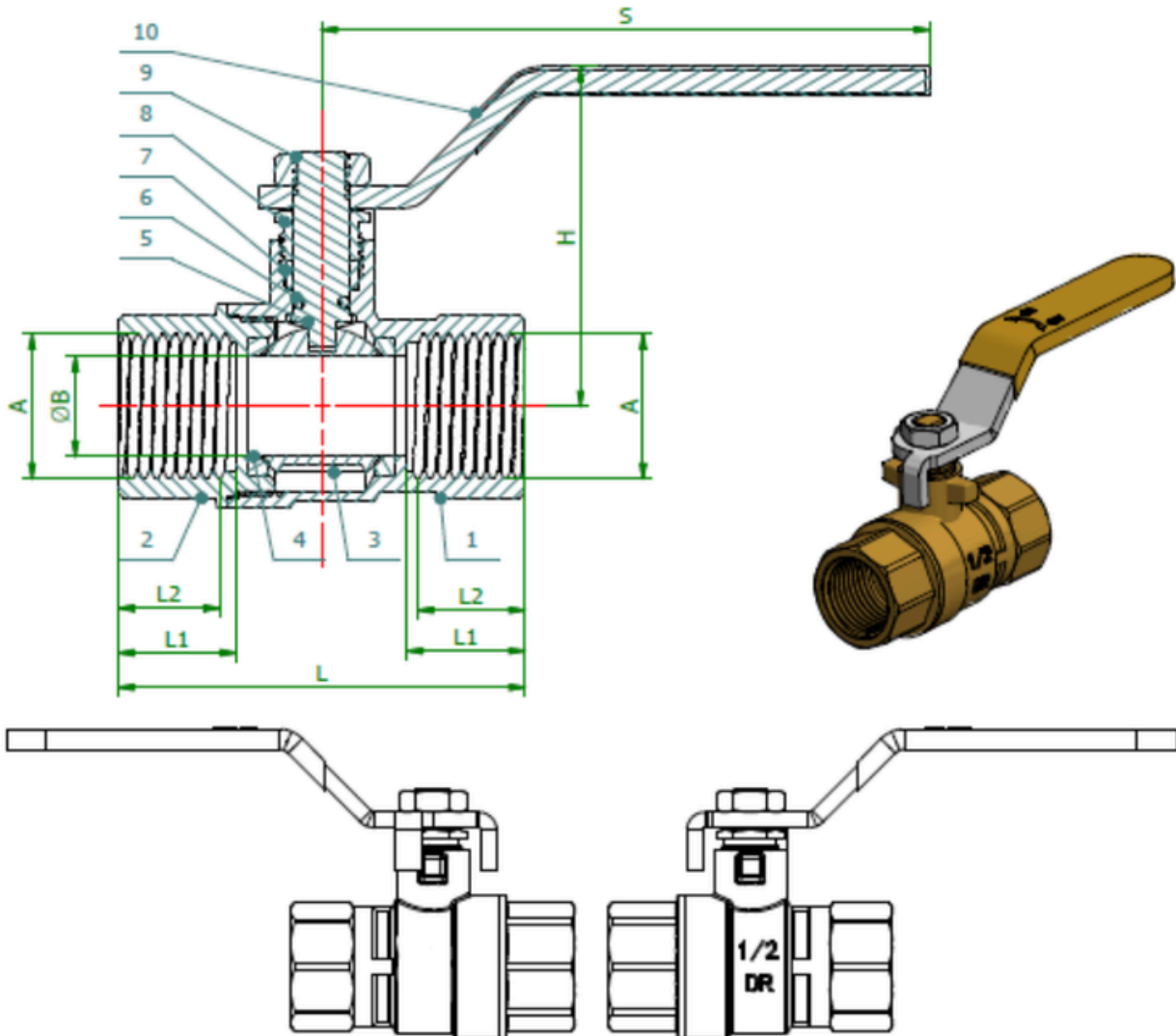


➤ For more information on the MF ball valve scan the QR code or visit www.hydroflowaus.com.au



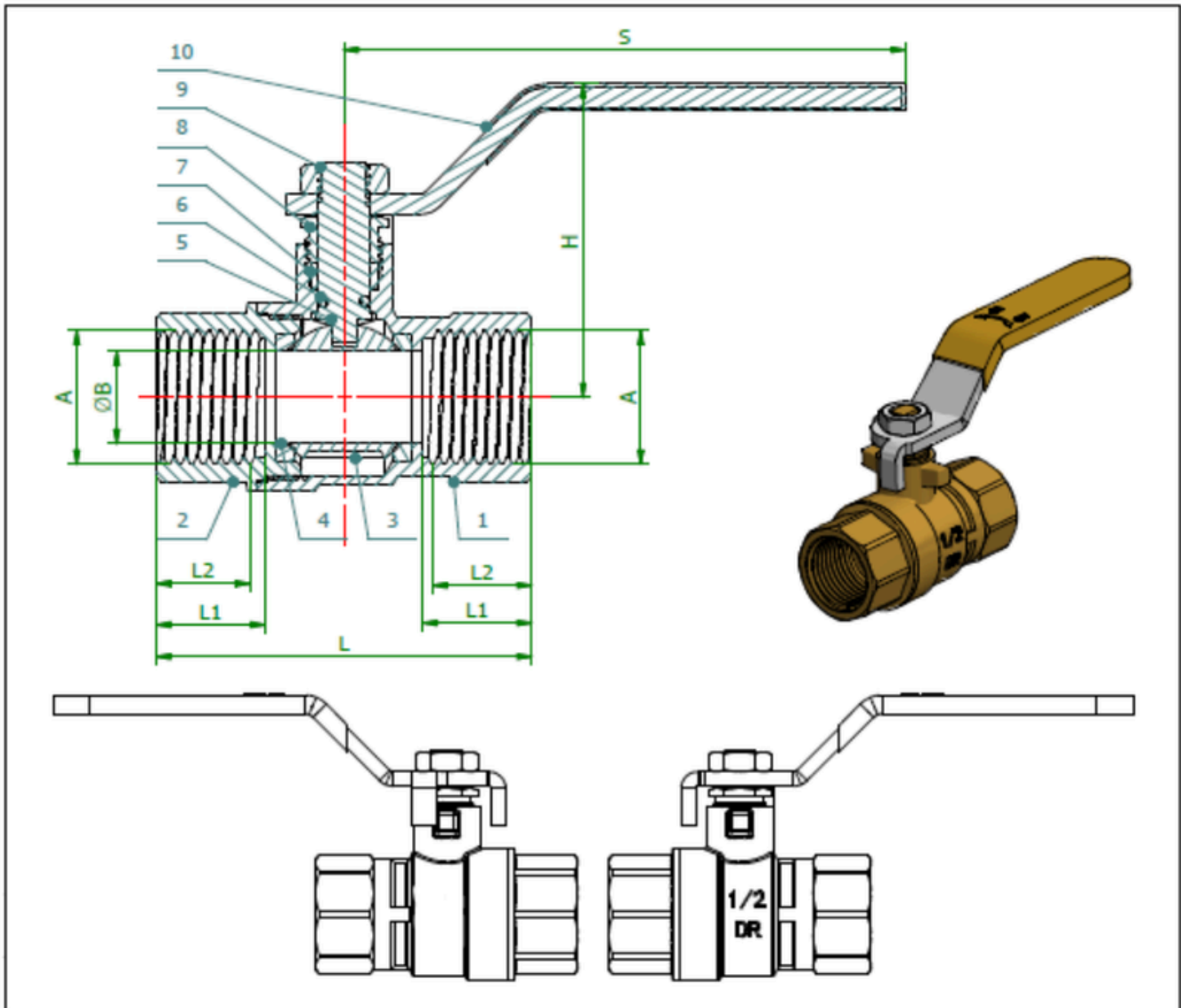
➤ For more information on the FF ball valve scan the QR code or visit www.hydroflowaus.com.au





DN	PN	A	B	L	L1	L2	H	S
15	40	G1/2"	14.5	58.8	17	15.5	49	88
20	40	G3/4"	19	66.5	18	16.5	52	100
25	40	G1"	24.5	76	21.5	19.5	62	125
32	40	G1 1/4"	32	91	23.5	21.5	81	140
40	40	G1 1/2"	40	99	23.5	21.5	88	140
50	40	G2"	49	120.5	28	26	96	165
65	25	G2 1/2"	60	145.5	32.5	30.5	124.5	225
80	25	G3"	68	162.5	35.5	33.5	130.5	225
100	25	G4"	90	198	41.5	39.5	147	280

10	Handle	A3+PVC	1
9	Nut	A3	1
8	Locking cap	HPb57-3	1
7	Packing	PTFE	1
6	o-ring	EPDM	1
5	Stem	HPb57-3	1
4	Sealing	PTFE	2
3	Ball	SS304	1
2	Bonnet	CW511L	1
1	Body	CW511L	1



DN	PN	A	B	L	L1	L2	H	S
15	40	G1/2"	14.5	58.8	17	15.5	49	88
20	40	G3/4"	19	66.5	18	16.5	52	100
25	40	G1"	24.5	76	21.5	19.5	62	125
32	40	G1 1/4"	32	91	23.5	21.5	81	140
40	40	G1 1/2"	40	99	23.5	21.5	88	140
50	40	G2"	49	120.5	28	26	96	165
65	25	G2 1/2"	60	145.5	32.5	30.5	124.5	225
80	25	G3"	68	162.5	35.5	33.5	130.5	225
100	25	G4"	90	198	41.5	39.5	147	280

10	Handle	A3+PVC	1
9	Nut	A3	1
8	Locking cap	HPb57-3	1
7	Packing	PTFE	1
6	o-ring	EPDM	1
5	Stem	HPb57-3	1
4	Sealing	PTFE	2
3	Ball	SS304	1
2	Bonnet	CW511L	1
1	Body	CW511L	1

2 Year WARRANTY This product is covered by a 2 year limited warranty on faulty workmanship and materials by manufacturing. The license plumber is responsible for installation and the application is fit for propose. No claim will be approved where the product has been Incorrectly installed or over tightened and exposure to highly corrosive agents. All claims must be notified within 2 working days. All claims must be sent back to distributor for laboratory appraisal.

