

## Hydroflow Extended Handle Lead Free Ball Valve



Lead Free Ball Valve used in commercial and industrial applications for a full range of liquids and gases

### Features

---

Lead free Thread

---

Female: BSPP

---

Thread Male: BSPP

---

WaterMarked and AGA approved

---

Maximum Operating Pressure 2500kpa PN25

---

Temperature rating 0-95°C



**Lead Free**

Standard: AS 5830.1 Watermark

License: WM-060182 AGA

License: 9286

All models listed under DNV Licence No. 030114 are now certified by AGA WaterMark Licence No. 060182.

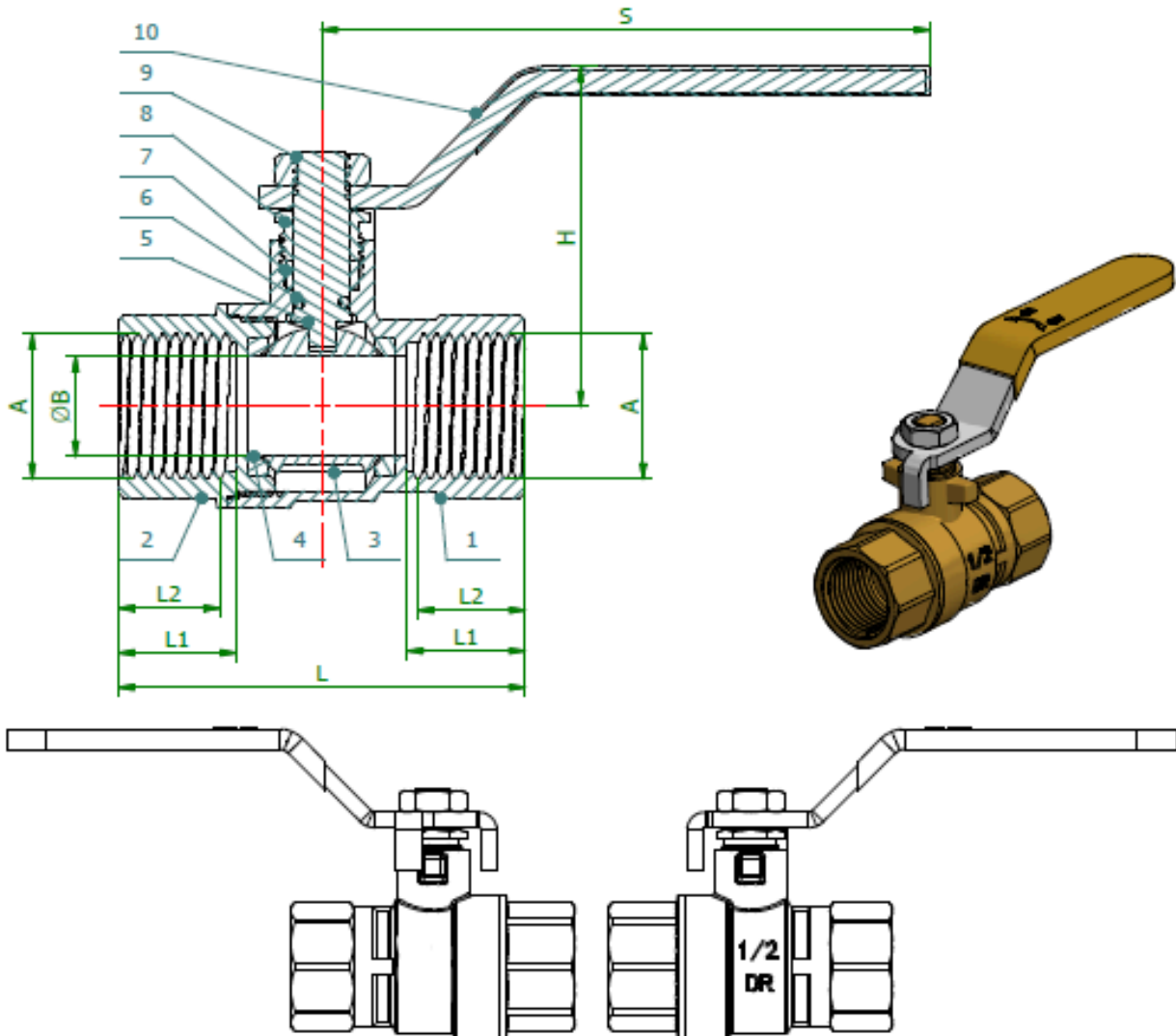


➤ For more information on the MF ball valve scan the QR code or visit [www.hydroflowaus.com.au](http://www.hydroflowaus.com.au)



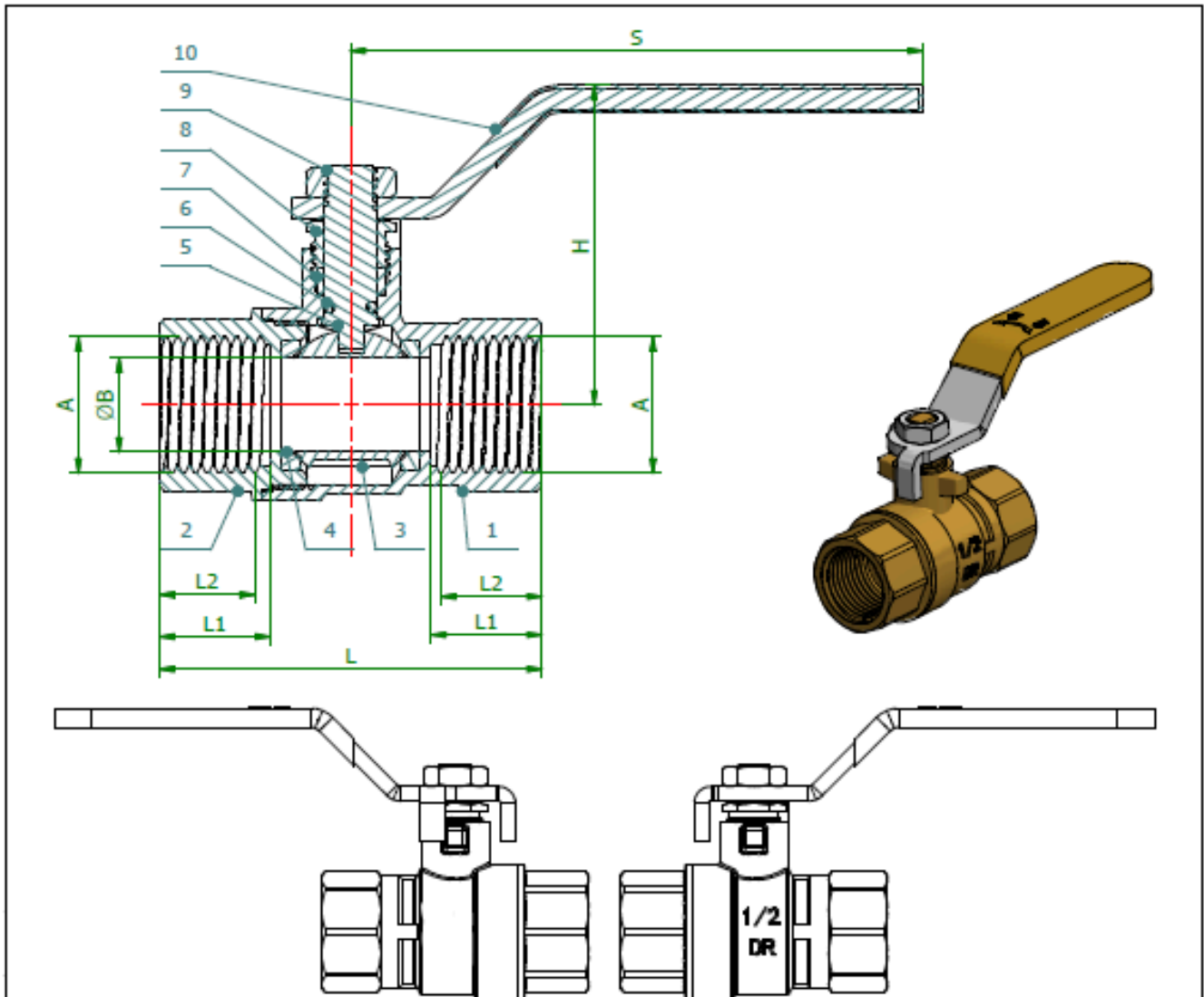
➤ For more information on the FF ball valve scan the QR code or visit [www.hydroflowaus.com.au](http://www.hydroflowaus.com.au)





| DN  | PN | A       | B    | L     | L1   | L2   | H     | S   |
|-----|----|---------|------|-------|------|------|-------|-----|
| 15  | 40 | G1/2"   | 14.5 | 58.8  | 17   | 15.5 | 49    | 88  |
| 20  | 40 | G3/4"   | 19   | 66.5  | 18   | 16.5 | 52    | 100 |
| 25  | 40 | G1"     | 24.5 | 76    | 21.5 | 19.5 | 62    | 125 |
| 32  | 40 | G1 1/4" | 32   | 91    | 23.5 | 21.5 | 81    | 140 |
| 40  | 40 | G1 1/2" | 40   | 99    | 23.5 | 21.5 | 88    | 140 |
| 50  | 40 | G2"     | 49   | 120.5 | 28   | 26   | 96    | 165 |
| 65  | 25 | G2 1/2" | 60   | 145.5 | 32.5 | 30.5 | 124.5 | 225 |
| 80  | 25 | G3"     | 68   | 162.5 | 35.5 | 33.5 | 130.5 | 225 |
| 100 | 25 | G4"     | 90   | 198   | 41.5 | 39.5 | 147   | 280 |

|    |             |         |   |
|----|-------------|---------|---|
| 10 | Handle      | A3+PVC  | 1 |
| 9  | Nut         | A3      | 1 |
| 8  | Locking cap | HPb57-3 | 1 |
| 7  | Packing     | PTFE    | 1 |
| 6  | o-ring      | EPDM    | 1 |
| 5  | Stem        | HPb57-3 | 1 |
| 4  | Sealing     | PTFE    | 2 |
| 3  | Ball        | SS304   | 1 |
| 2  | Bonnet      | SS304   | 1 |
| 1  | Body        | SS304   | 1 |



| DN  | PN | A       | B    | L     | L1   | L2   | H     | S   |
|-----|----|---------|------|-------|------|------|-------|-----|
| 15  | 40 | G1/2"   | 14.5 | 58.8  | 17   | 15.5 | 49    | 88  |
| 20  | 40 | G3/4"   | 19   | 66.5  | 18   | 16.5 | 52    | 100 |
| 25  | 40 | G1"     | 24.5 | 76    | 21.5 | 19.5 | 62    | 125 |
| 32  | 40 | G1 1/4" | 32   | 91    | 23.5 | 21.5 | 81    | 140 |
| 40  | 40 | G1 1/2" | 40   | 99    | 23.5 | 21.5 | 88    | 140 |
| 50  | 40 | G2"     | 49   | 120.5 | 28   | 26   | 96    | 165 |
| 65  | 25 | G2 1/2" | 60   | 145.5 | 32.5 | 30.5 | 124.5 | 225 |
| 80  | 25 | G3"     | 68   | 162.5 | 35.5 | 33.5 | 130.5 | 225 |
| 100 | 25 | G4"     | 90   | 198   | 41.5 | 39.5 | 147   | 280 |

|    |             |         |   |
|----|-------------|---------|---|
| 10 | Handle      | A3+PVC  | 1 |
| 9  | Nut         | A3      | 1 |
| 8  | Locking cap | HPb57-3 | 1 |
| 7  | Packing     | PTFE    | 1 |
| 6  | o-ring      | EPDM    | 1 |
| 5  | Stem        | HPb57-3 | 1 |
| 4  | Sealing     | PTFE    | 2 |
| 3  | Ball        | SS304   | 1 |
| 2  | Bonnet      | SS304   | 1 |
| 1  | Body        | SS304   | 1 |

**2 Year WARRANTY** This product is covered by a 2 year limited warranty on faulty workmanship and materials by manufacturing. The license plumber is responsible for installation and the application is fit for purpose. No claim will be approved where the product has been Incorrectly installed or over tightened and exposure to highly corrosive agents. All claims must be notified within 2 working days. All claims must be sent back to distributor for laboratory appraisal.

