

## Lead Free Brass Swing Check Valve



Lead-free swing check valves provide reliable backflow prevention in plumbing and water systems.

### Features

---

Made from high-quality CW511L brass, ensuring excellent strength, corrosion resistance and compliance with Australian standards.

---

Can be installed vertically or horizontally to suit different plumbing layouts.

---

Maximum operating pressure 2500kpa PN25

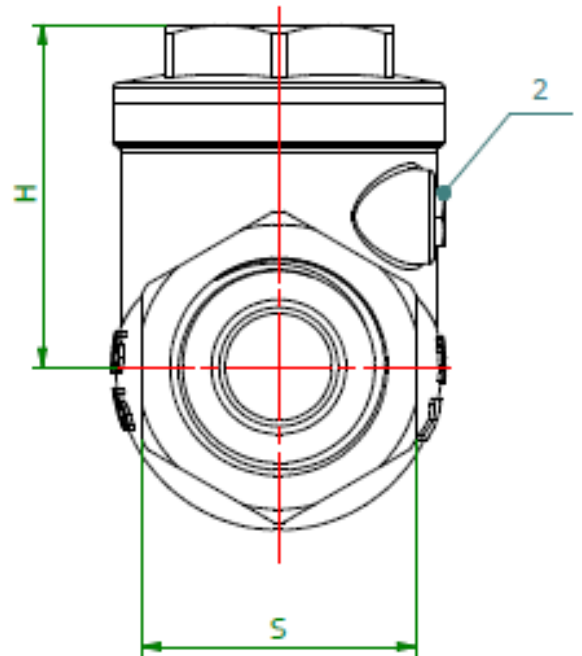
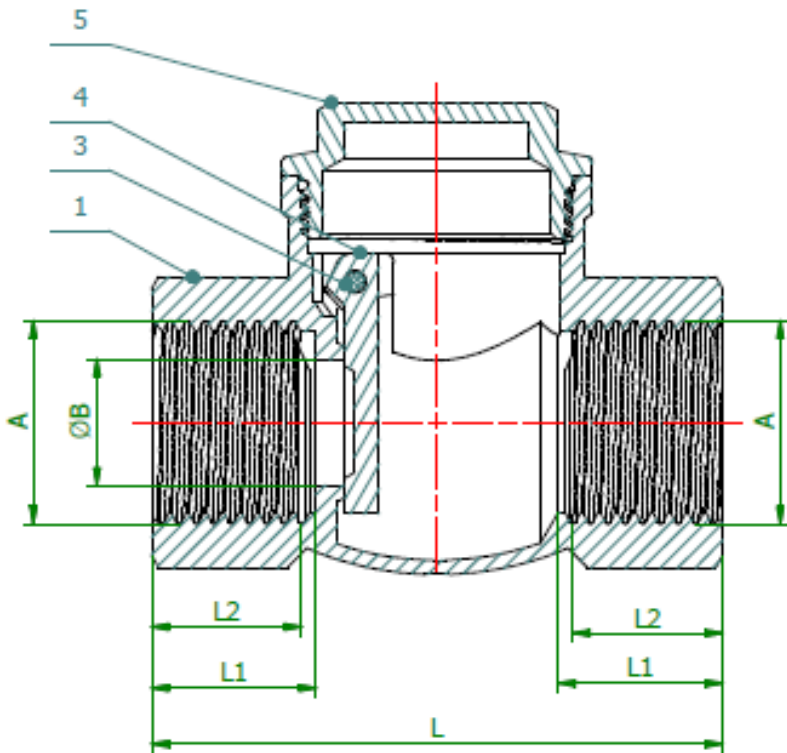
---

Temperature rating 0-80°C

---

WaterMark approved - License No. WM60183





DN	PN	A	B	L	L1	L2	H	S
15	25	G1/2"	13	59	17	15.5	33	26.5
20	25	G3/4"	18.2	65	18	16.5	37.2	31.3
25	25	G1"	20	79	21.5	19.5	42.5	38.5
32	25	G1 1/4"	28	84	23.5	21.5	48.3	47
40	25	G1 1/2"	32	90	23.5	21.5	52.8	53
50	25	G2"	41	110	28.5	26.5	63.3	66.5

5	Bonnet	CW511L	1
4	Water baffle	CW511L	1
3	Dowel	CW511L	1
2	Nut bolt	CW511L	1
1	Body	CW511L	1