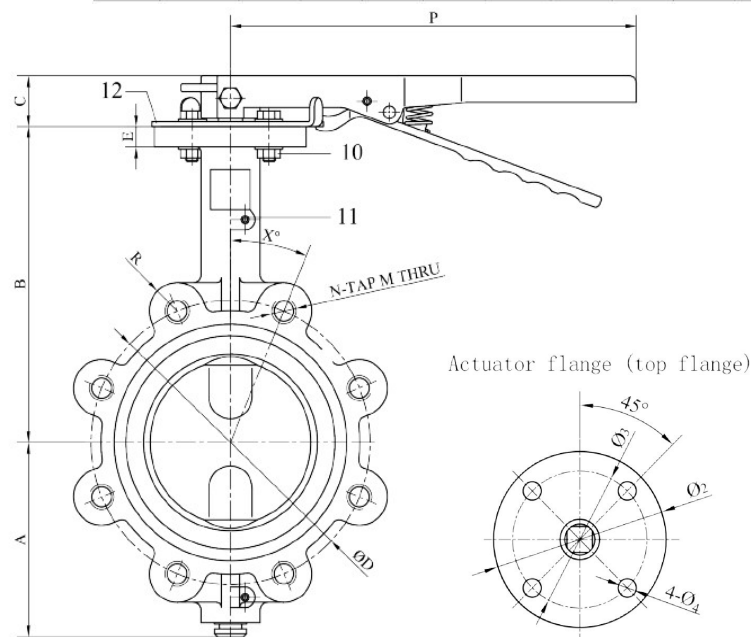


Lever Lugged HVAC Butterfly Valve

- HVAC, Water, Waste Water Treatment, processing, mining, General Industry, Non-Water Marked Systems
- Operation Pressure 1600kPa
- Temperature Range -10°C to 120°C
- Ductile Cast Iron Body with EPDM Seat
- Sizes range from 50mm to 300mm



Size		A	B	C	AS2129 TABLE-E				AS2129 TABLE-D				R	E	Ø ₁	Ø ₂	Ø ₃	Ø ₄	L	S	P
mm	inch				ØD	M	N	X°	ØD	M	N	X°									
50	2"	85	162	32	114	M16	4	45	114	M16	4	45	15	11	88	65	50	7	42	9	260
65	2½"	98	174	32	127	M16	4	45	127	M16	4	45	15	11	104	65	50	7	45	9	260
80	3"	104	181	32	146	M16	4	45	146	M16	4	45	15	11	118	65	50	7	45	9	260
100	4"	123	200	32	178	M16	8	22.5	178	M16	4	45	16	12	150	90	70	9.5	52	11	260
125	5"	136	213	32	210	M16	8	22.5	210	M16	8	22.5	18	12	174	90	70	9.5	54	14	260
150	6"	148	225	32	235	M20	8	22.5	235	M16	8	22.5	20	12	206	90	70	9.5	56	14	260
200	8"	186	260	38	292	M20	8	22.5	292	M16	8	22.5	20	13	260	125	102	11.5	60	17	360
250	10"	212	292	38	356	M20	12	15	356	M20	8	22.5	24	14	316	125	102	11.5	66	22	360
300	12"	251	337	38	406	M24	12	15	406	M20	12	15	24	16	370	125	102	11.5	77	22	360



Item	Description	Material
1	Lever	Cast Iron
2	Bushing	PTFE
3	O-Ring	EPDM
4	Disc	CF8M
5	Seat	EPDM
6	Lower Stem	SS304
7	Body	DI
8	Upper Stem	SS304
9	Locking Screw	SS304
10	Bolt & Nut	SS304
11	Spring Pin	SS304
12	Locking Plate	SS304

