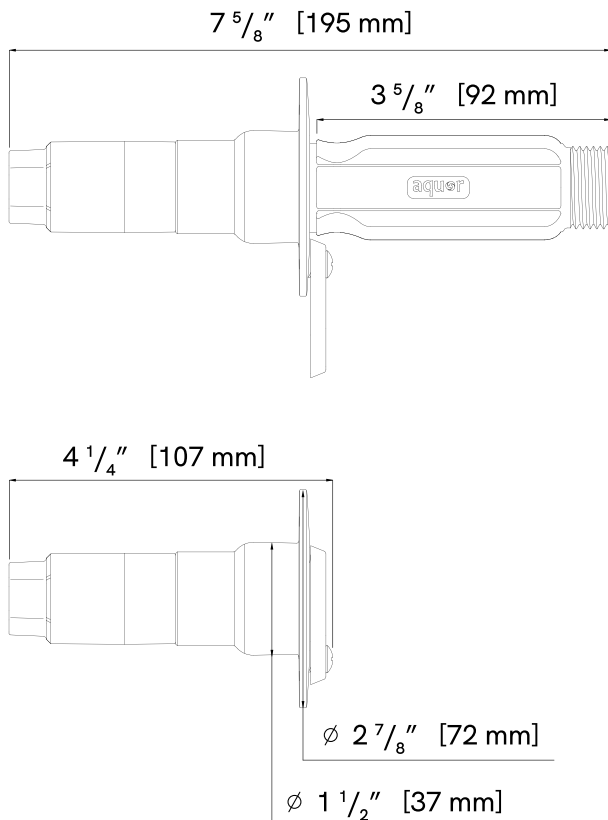




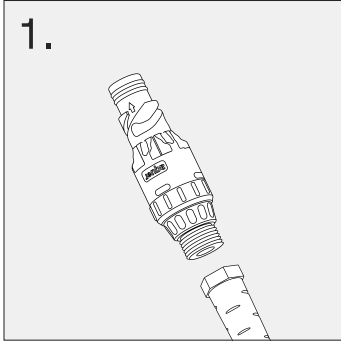
Flush-mounted stainless steel hydrant with hose connector. A reliable, leak-proof water outlet that can be used anywhere water access is needed, on land or sea. Ideal for any marine vessel or washdown application. Can be mounted horizontally or vertically. Polished stainless steel faceplate with "WASHDOWN" marking embossed and painted.

- Instant water access with a simple push & twist
- Install as an inlet or an outlet, horizontally or vertically, on your sailboat, yacht, and more
- Lead-free and corrosion resistant 316L stainless steel, leak-proof Viton® O-rings
- Standard 1/2" female NPT inlet included, optional 90° elbow also available
- To configure outlet as an intake, remove the check valve



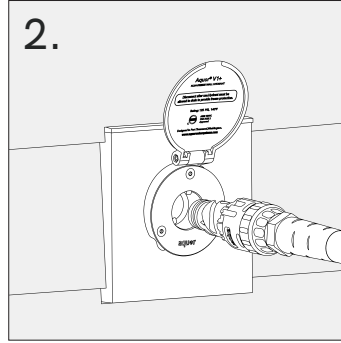
In the Box	Hydrant w/Swivel Cover, CN-S1-B
Common Use	Boats, Yachts
Backflow Protection	Yes, built-in check valve
Entry Hole	1.5"
Inlet	1/2" NPT (f)
Outlet	3/4" GHT (m)
Operating Temperature	33-140 °F
Operating Water Pressure	25-125 PSI
Flow Rate	6.8 GPM @ 52 PSI
Plumbing Compatibility	All (PEX recommended)
Hydrant Material	316L Stainless Steel
Connector Material	Acetal Resin Polymer
O-Ring Material	Fluorocarbon Rubber
Cover Material	ASA Thermoplastic
Warranty	Limited LIFETIME all stainless steel parts, 5 years polymer parts
SKU	DW-3

Connecting to your Aquor Hydrant



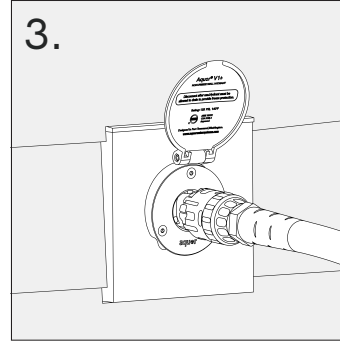
First thread your hose connector onto any hose.

Wide Grip Connector shown for demonstration.



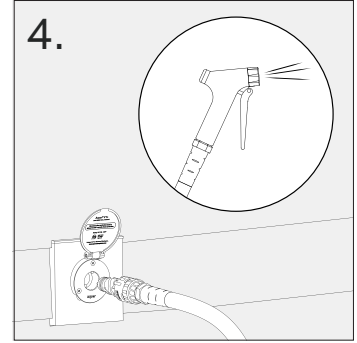
To connect, align the 3 grooves on the connector with the nibs on the hydrant. Gently push in, then twist clockwise.

Wide Grip Connector and House Hydrant V1+ shown for demonstration.



Once you connect, the valve opens and water flow starts instantly.

Wide Grip Connector and House Hydrant V1+ shown for demonstration.



Disconnect and depressurize your hose before storing.

Wide Grip Connector and House Hydrant V1+ shown for demonstration.