

INSTALLATION INSTRUCTIONS

SENSAFLUSH



CONTENTS OF SENSASLUSH (SS100)

- 1 x Sensaflush Control Unit with Adjustable Mounting Bracket
- 6 AMP AC Power Supply
- 1 x Set Of Installation Instructions
- 2m Dual Flux Cable
- 1 x Guarantee form

OPERATING PRINCIPLE

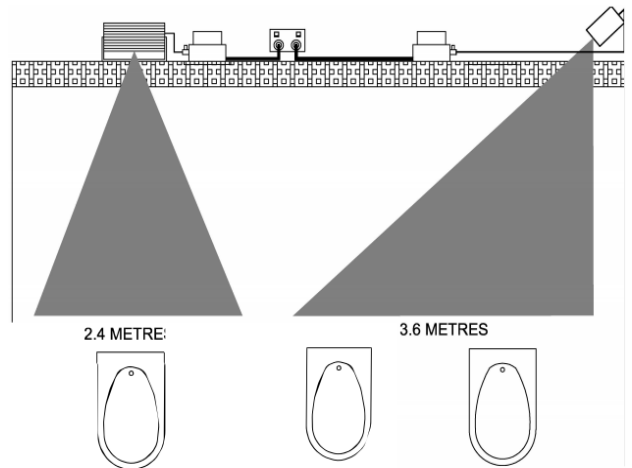
On detection of a person stepping up to the urinal, the Sensaflush will initiate a cycle of flushing. If the Sensaflush is installed as preset, flushing will occur approximately 1.5 minutes after detection and run for 7 seconds. Once the cycle has finished, a new cycle will only commence when another detection is made. Sensaflush is programmable to suit individual customers' needs and the options are shown in Section 7.

ELECTRICAL INSTALLATION

Electrical work should be carried out by a registered electrician.

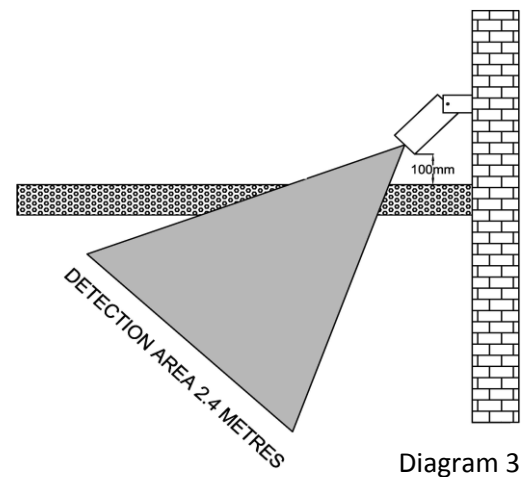
The control unit should be positioned, if possible to detect only people using the urinal. Detection field patterns are as per Diagram 2, but smaller “lobes” of detection can occur outside this main lobe.

Avoid pointing the control unit towards hallways or other areas where traffic patterns may encourage false triggering. Remember, Water Guard will detect through walls and ceilings up to a maximum of 4m.

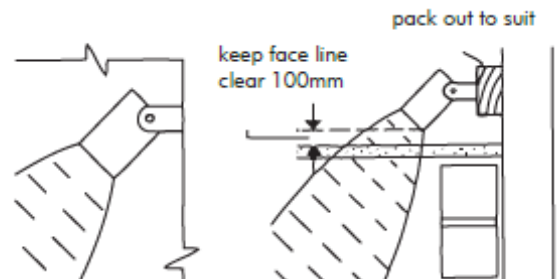


Where there are multiple urinals and Sensaflush, avoid pointing the control unit towards other urinals as water movement can also cause false triggering.

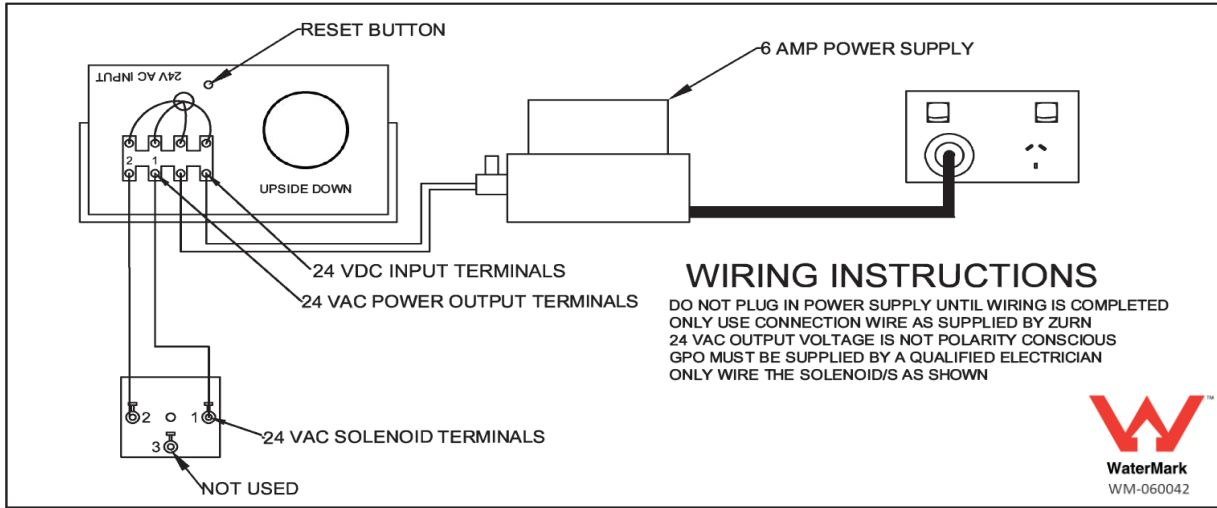
The control unit can be mounted above a ceiling for out of sight installation, provided the thickness of the ceiling does not exceed 15mm and it is a non-conductive material such as Giboard, Hardiflex, plastic or glass. Materials such as sheet metal, foil, or foil backed boards and wire reinforced glass should be avoided. See Diagram 3 for clearances.



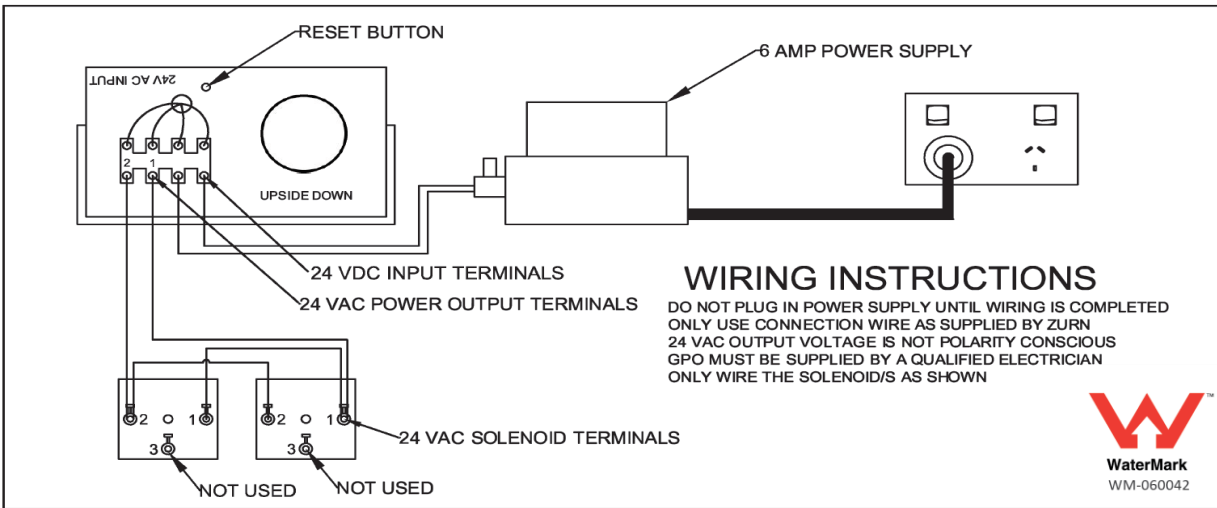
When the controller is plugged in, the red LED on the front of the controller should come on and flicker when movement is detected. Adjust the position of the controller to achieve suitable detection.



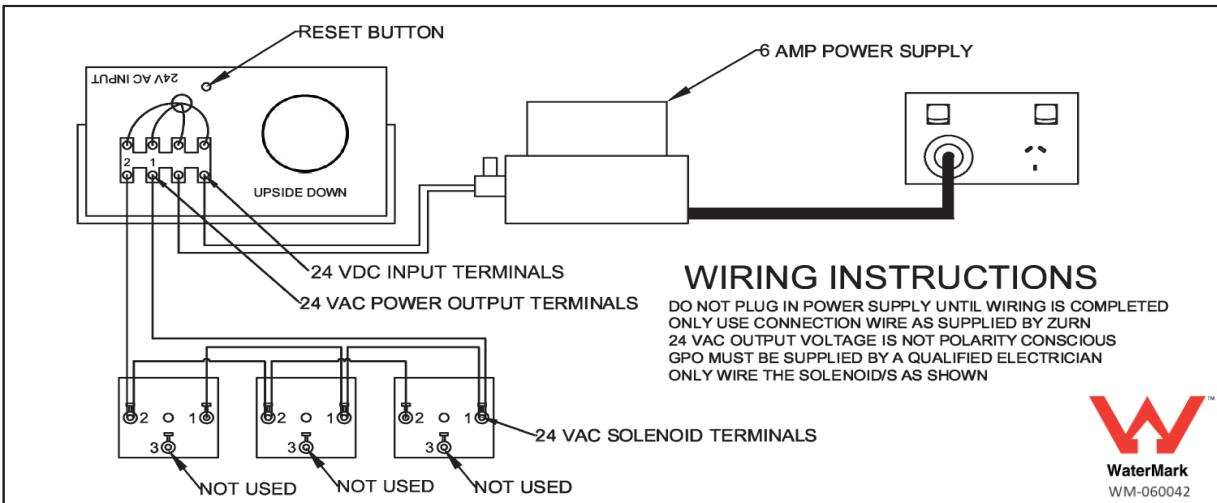
WIRING INSTRUCTIONS



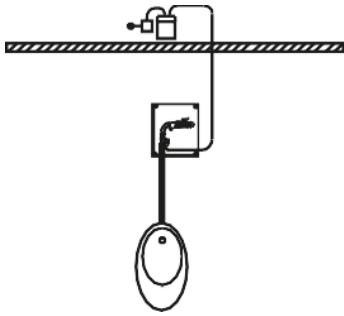
Two Solenoid Wiring Instructions



Three Solenoid Wiring Instructions

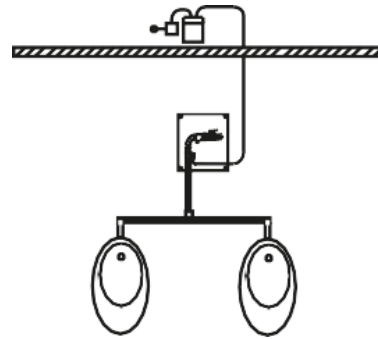


SENSAFLUSH SENSOR UNIT - VITREOUS CHINA URINALS



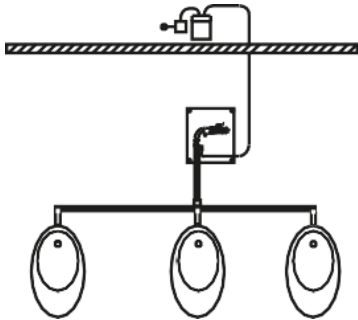
Option 1: Single Wall Hung Urinal

Using 1 X LWG - SS100 Sensor and
1 x SS100-KIT LWG Urinal Installation Kit



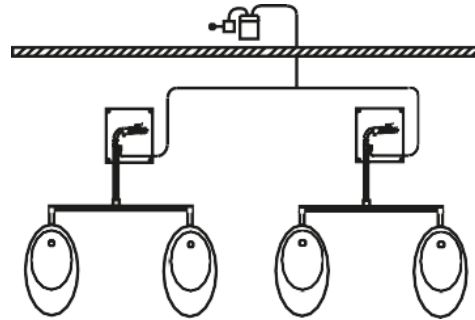
Option 2: 2 x Single Wall Hung Urinals

Using 1 X LWG - SS100 Sensor and
1 x SS100-KIT LWG Urinal Installation Kit



Option 4: 4 x Single Wall Hung Urinals

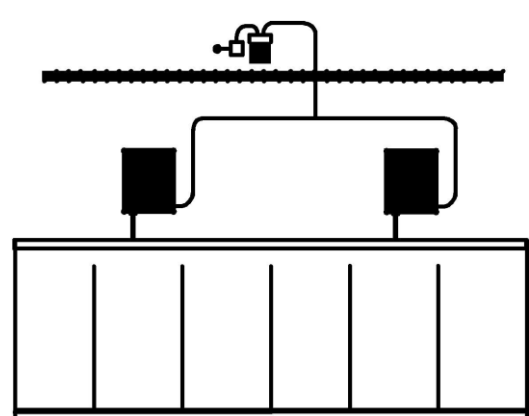
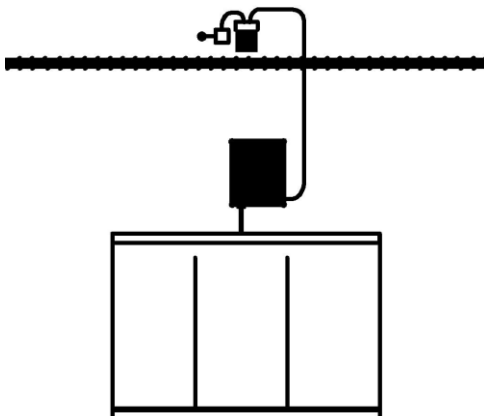
Using 1 X LWG - SS100 Sensor and
1x SS100-KIT LWG Urinal Installation Kit



Option 4: 4 x Single Wall Hung Urinals

Using 1 x LWG - SS100 Sensor and 2 x
SS100-KIT LWG Urinal Installation KIT

SENSAFLUSH SENSOR UNIT- STAINLESS STEEL URINAL



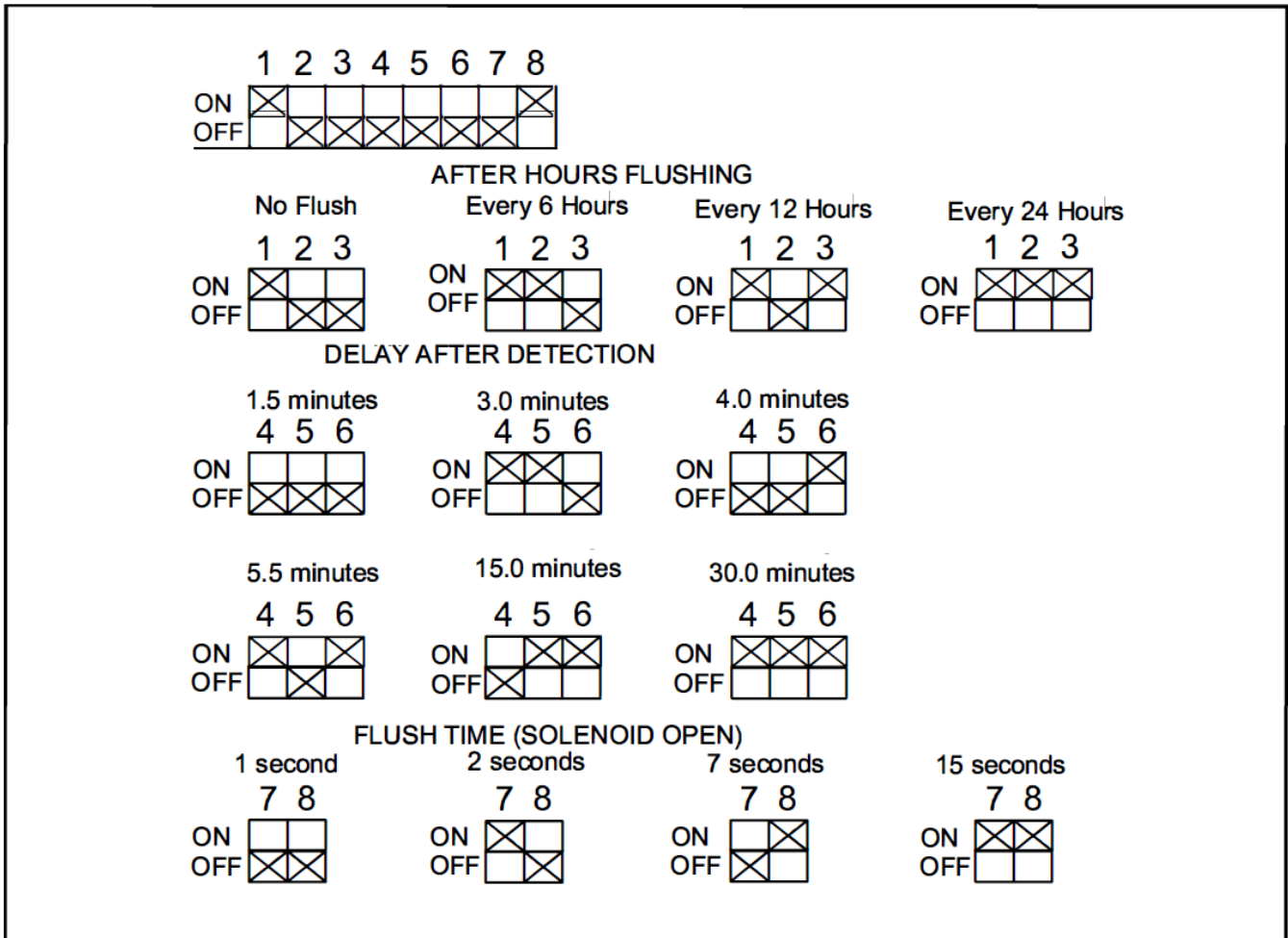
OPTIONS

Located on the back panel of the control unit is a small circular plate.

Behind this is a series of 8 switches which give you the option of changing the flush cycle to suit your client's needs. There are 3 sections that can be programmed,

- a) **After Hours Flushing:** Gives the option of regular after hours flushing to reduce the likelihood of trap dry-out.
- b) **Delay After Detection:** Sets the delay time from time of detection to time of flush, which is typically set to 1.5 minutes.
- c) **Flush Time:** 7 seconds for wall hung urinals, 15 seconds for slab urinals

Switch Settings – Factory Settings



COMMISSIONING

Once the electrician has wired up the unit, it is necessary to ensure the flushing function is correct.

Check that the switch setting has been altered to suit the client's needs and/or urinal style. Refer Section 7.

Press the re-set button on the back of the Sensaflush. The solenoid valve should open for 2 secs and then close. Pass your hand in front of the Sensaflush. The LED on the front should flicker when detecting movement. Wait for the chosen delay period - the solenoid should open for the chosen flush time of 1-15 seconds.