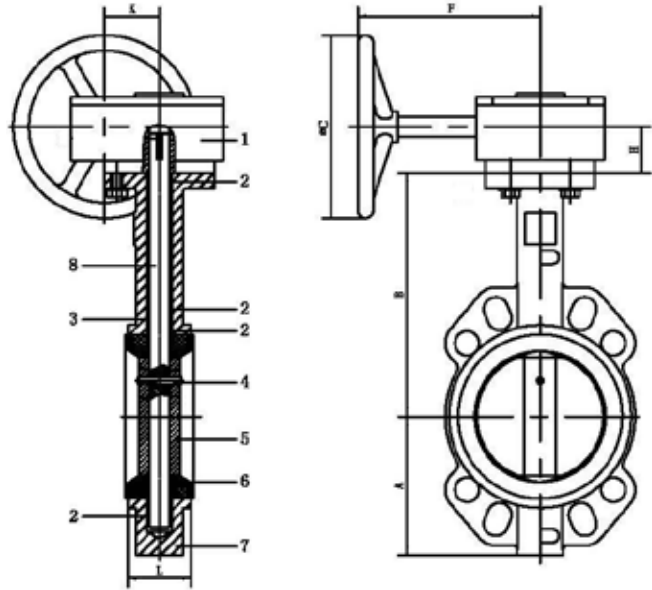


# Butterfly Valve Wafer Gear - HVAC



Pressure Rating: PN 16  
Thread: Tapped Metric Course  
Flange: Table E

Item	Description	Material
1	Gearbox	
2	Bushing	PTFE
3	O-ring	EPDM
4	Taper Pin	SS
5	Disc	CF8
6	Seat	EPDM
7	Body	DI
8	Stem	SS410
9	Fasteners	SS



DN	A	B	L	C	F	H	K
50	76	162	42	138	144	27	43
65	89	174	45	138	144	27	44
80	95	181	45	138	144	27	45
100	114	200	52	138	144	27	46
125	127	213	54	138	144	27	47
150	139	225	56	138	144	27	48
200	177	260	60	278	208	39	66
250	203	292	66	278	208	39	66
300	242	337	77	278	225	37	80